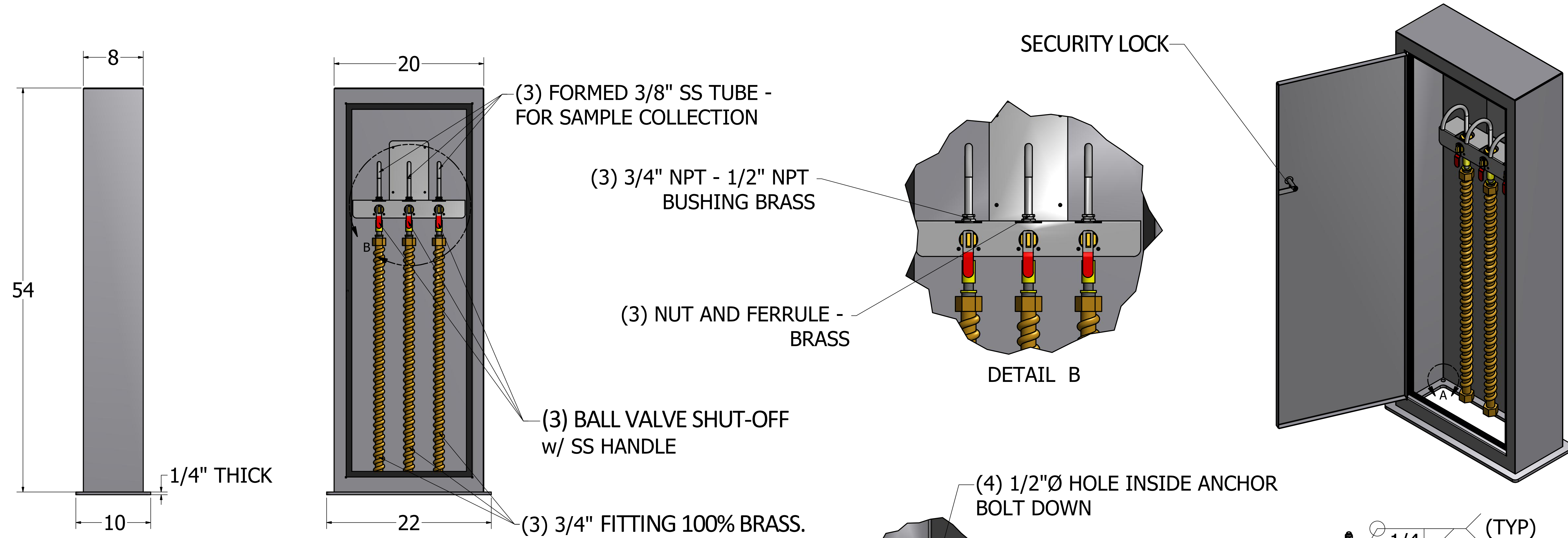


WATER SAMPLING STATION



- NOTES:
1. CONSTRUCTED FROM 16 GAGE STAINLESS STEEL OR CARBON STEEL WITH POWDER COAT FINISH.
 2. FULL FRONT ACCESS MAKES FOR EASY INSTALLATION HOOK-UP, AND WHEN SAMPLING ACCESS IS NEEDED.
 3. BALL VALVE SHUT-OFF AND FITTING 100% BRASS.
 4. TEFLON HOSE WITH STAINLESS STEEL BRAIDED PROTECTION IS THE FLEXIBLE FINAL HOOK-UP PART.
 5. SECURITY OBTAINED WITH FLUSH MOUNTED KEYED BARREL.
 6. DOOR MOVEMENT ASSISTED BY FULL LENGTH STAINLESS STEEL HINGE.
 7. SECURITY INSIDE ANCHOR BOLT DOWN
 8. CLEAR OPENING: 15-5/16" x 48-3/8"