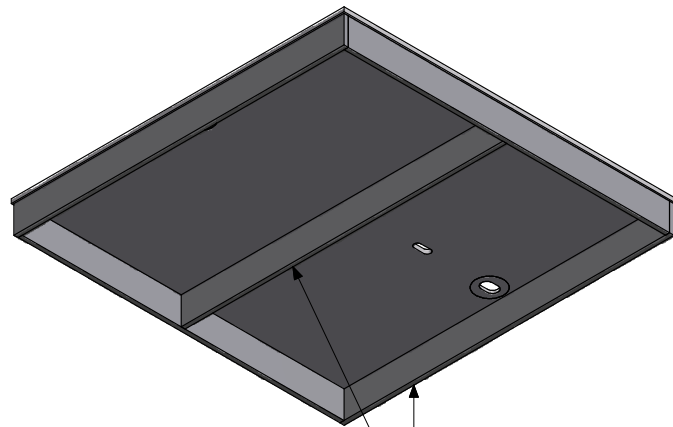




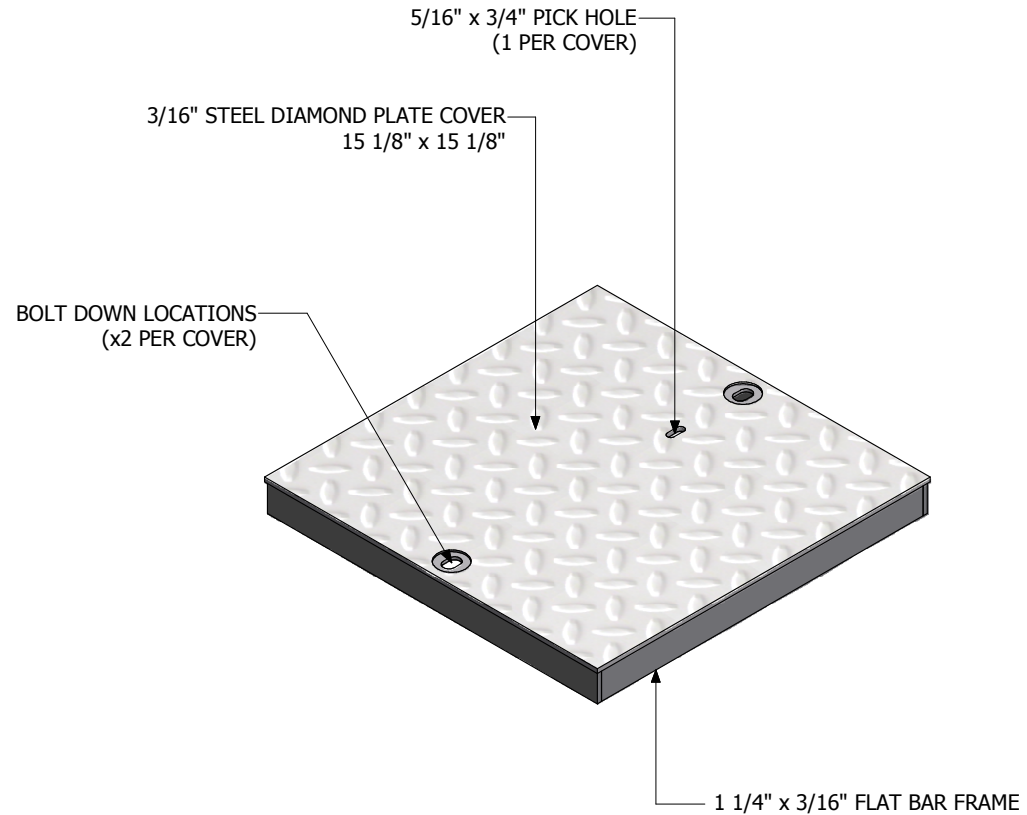
1325 Furneaux Road, Plumas Lakes, CA. 95961
(530) 742-9675
www.placerwaterworks.com

UTILITY STEEL COVER

V-12



1 1/4" x 3/16" FLAT BAR FRAME



NOTES:

1. ALL PARTS ARE POWDER COATED BLACK TO A THICKNESS OF 3-5 MILLS.
2. 3/16" DIAMOND PLATE STEEL COVER w/ TWO BOLT DOWNS LOCATIONS
3. 1 1/4" x 3/16" FLAT BAR CONT. FRAME .
4. ALL WELDING DONE PER AWS SPECIFICATIONS.

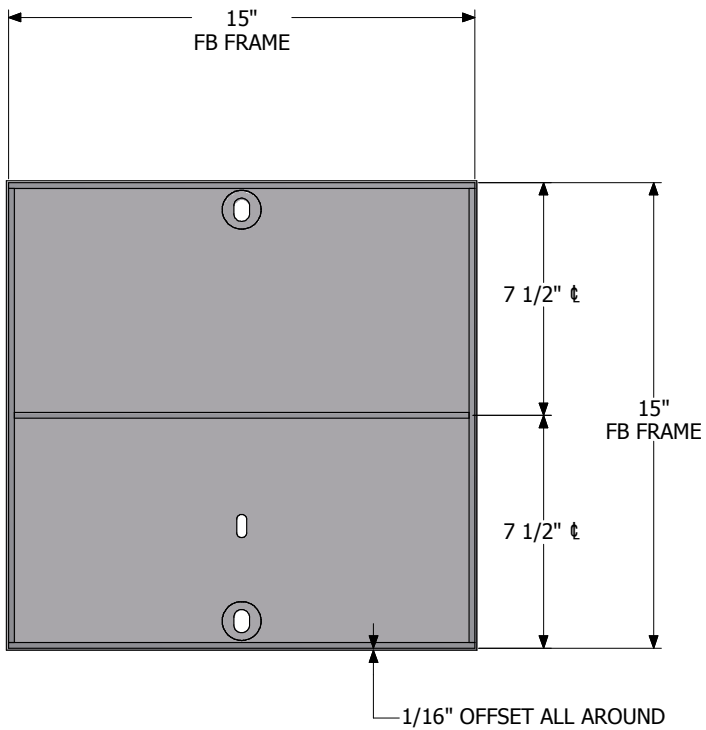
CAT#: PW/V-12

COPYRIGHTED 2012 PLACER WATERWORK, INC. © ALL RIGHTS RESERVED - FOR DUPLICATION AUTHORIZATION MAY OBTAIN THRU: kkern@placerwaterworks.com

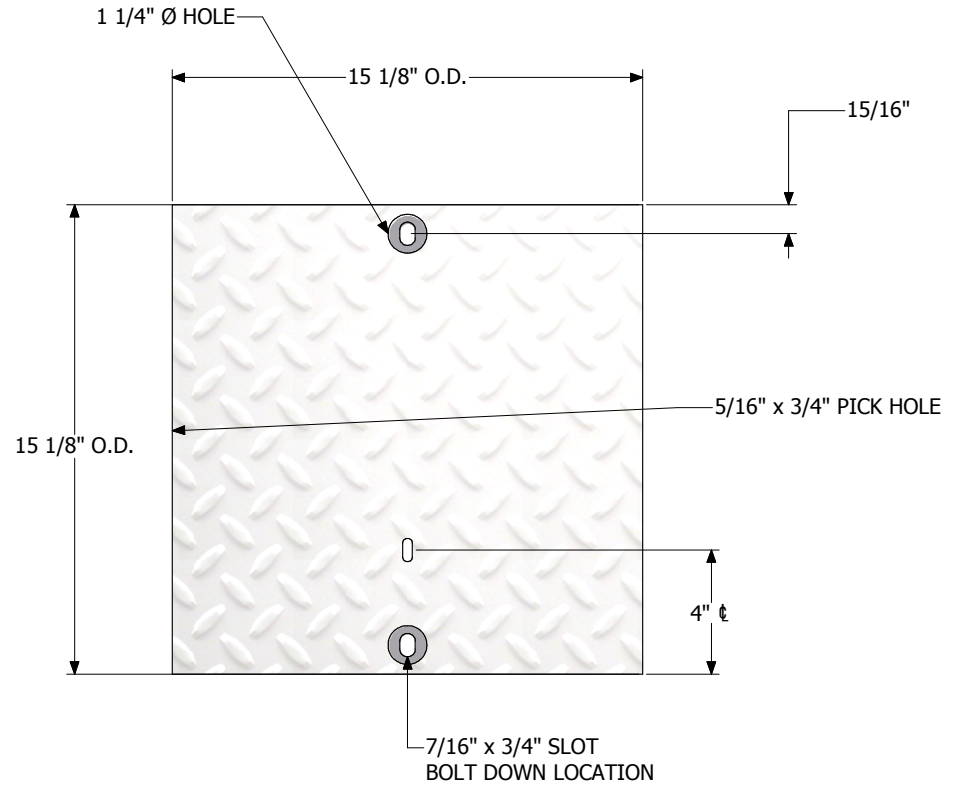
SHEET 1 OF 2
CB: ROBERT 03-02-2012 REV.01

UTILITY STEEL COVER

V-12



(BOTTOM SIDE OF PLATE)



(TOP SIDE OF PLATE)