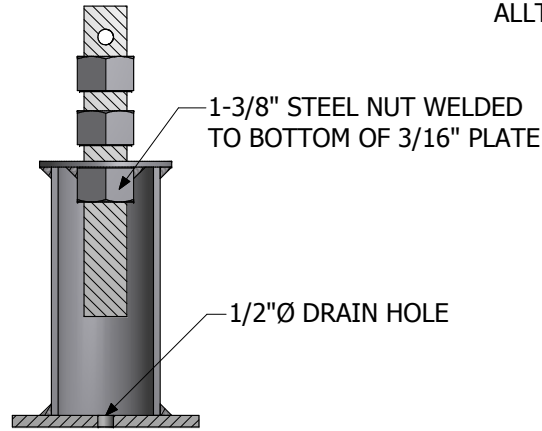




1325 Furneaux Road, Plumas Lakes, CA. 95961
 (530) 742-9675
 www.placerwaterworks.com

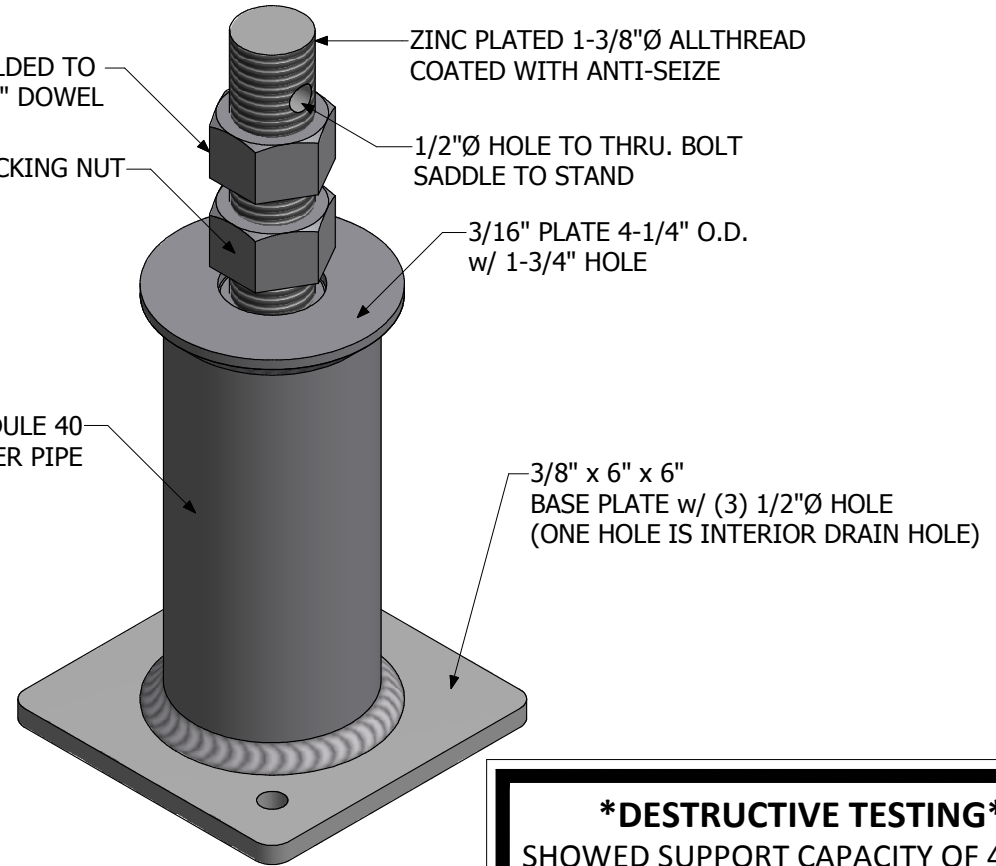
GALVANIZED PIPE SUPPORT STAND



SECTION VIEW

- NOTES:
1. THE BASE, RISER AND 3/16" x 4-1/4" O.D. PLATE ARE ALL WELDED TOGETHER
 2. CORROSION PROTECTION OPTIONS:
 1. HOT-DIP-GALVANIZED
 3. STANDARD SUPPORTS COME IN FOUR SIZES.
 4. CUSTOM MADE TO FIT SUPPORTS OF ANY SIZE CAN BE FABRICATED.
 5. ALL WELDING DONE PER AWS SPECIFICATIONS.

PRODUCT CODE	HEIGHT ADJUSTMENT	WEIGHT
PW/PS1014-Z	10" TO 14"	10 LBS
PW/PS1218-Z	12" TO 18"	13 LBS
PW/PS1624-Z	16" TO 24"	16 LBS
PW/PS2436-Z	24" TO 36"	22 LBS



DESTRUCTIVE TESTING
 SHOWED SUPPORT CAPACITY OF 48,000
 POUNDS CONCENTRIC VERTICAL LOAD
WITH-OUT NOTICEABLE DEFORMATION

CAT#: PW/PS****-AB - (S = POWDER COATED - Z = HDG)

COPYRIGHTED 2014 PLACER WATERWORK, INC. © ALL RIGHTS RESERVED - FOR AUTHORIZATION FOR DUPLICATION MAY OBTAIN THRU: kkern@placerwaterworks.com CB: K.K. 12-18-2014 REV. 01