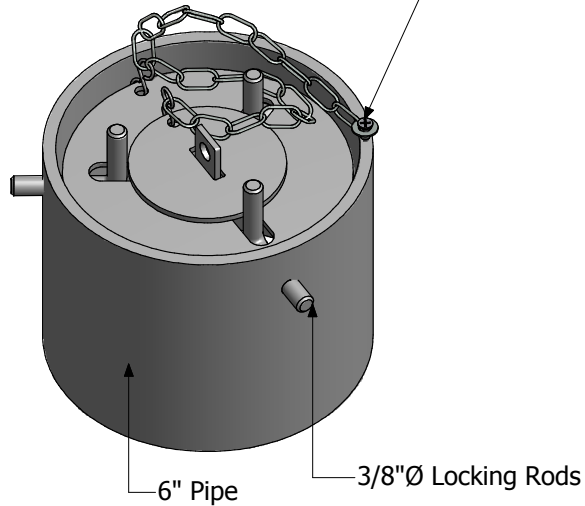




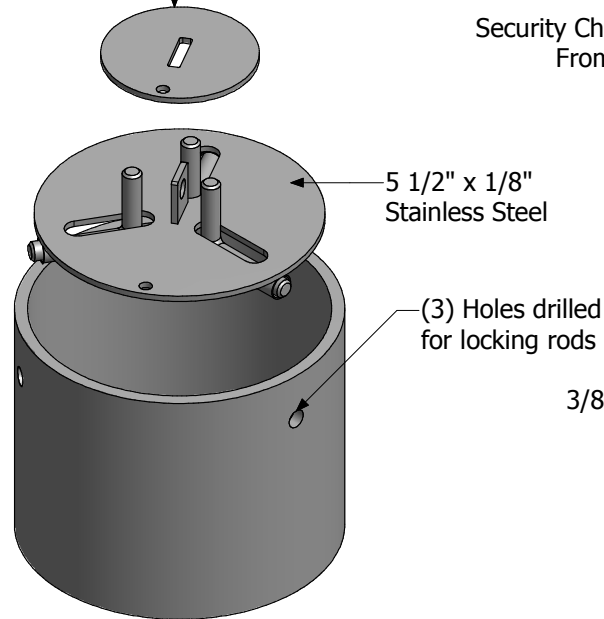
Fabricator of Infrastructure Parts and Accessories  
 1325 Furneaux Road, Plumas Lakes, CA. 95961  
 (530) 742-9675  
 www.placerwaterworks.com

# 6" VALVE LOCK OUT DEVICE

Washer For Screw Attachment  
 To Pipe or Wall For Easy Retrieve  
 If Device Fall Into Pipe



3"Ø x 1/8"  
 Locking Plate



Washer For Screw Attachment To Pipe or Wall  
 For Easy Retrieve If Device Fall Into Pipe

Security Chain Prevent Out Device  
 From Falling Into Pipe Hole

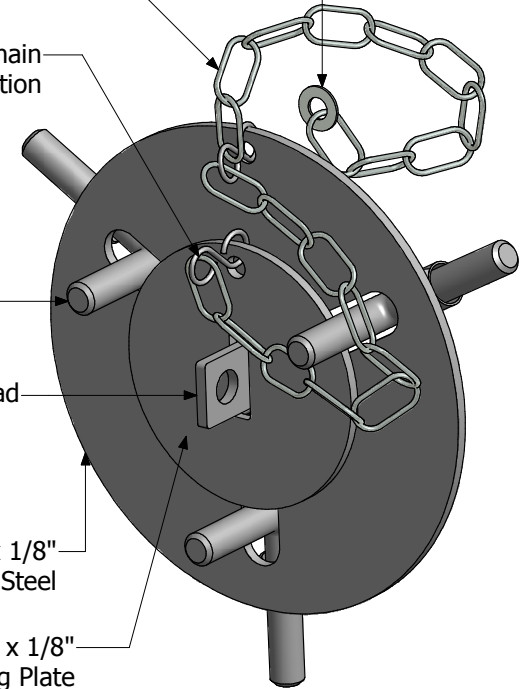
Security Chain  
 Attachment Location

3/8"Ø Locking Rods

Lock tab for lock pad

5 1/2" x 1/8"  
 Stainless Steel

3"Ø x 1/8"  
 Locking Plate



## NOTES:

1. 3 - Stainless Steel Chain (included) to fasten main plate, locking plate and paddle lock (not included) together for extra security.
2. All parts are make from 10 GA 304 Stainless Steel.
3. All welding is done per AWS specifications.

\*\*\* See Installation Video @ [www.Placerwaterworks.com](http://www.Placerwaterworks.com) \*\*\*

CAT#: PW/VLD-6 - 6" VALVE LOCK OUT DEVICE

Copyrighted 2014 Placer Waterworks, Inc.© All Rights Reserved - For Duplication Authorization may obtain thru: [kkern@placerwaterworks.com](mailto:kkern@placerwaterworks.com) C.B.: R.V. 09-25-2014