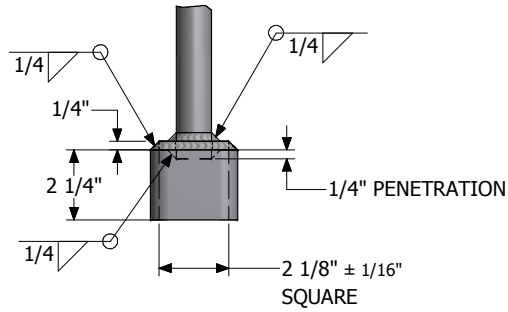
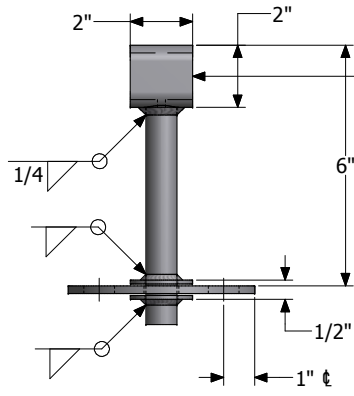




1325 Furneaux Road, Plumas Lakes, CA. 95961  
 (530) 742-9675  
 www.placerwaterworks.com

# VALVE STEM EXTENSION

## ALAMEDA COUNTY WATER DISTRICT



- NOTES:
1. VALVE STEM EXTENSION LENGTH TO BE DETERMINE.
  2. VALVE STEM EXTENSION TO HAVE 1/4" THK. x 6" Ø STEEL STEADYING PLATE w/ 1" DIA. HOLES (2) 180° APART.
  3. VALVE STEM EXTENSION MATERIALS TO BE 1" DIA. SOLID STEEL SHAFT
  4. VALVE STEM EXTENSION TO HAVE STANDARD 2" SQ. OPERATOR NUT w/ 2-1/8" SQ. STANDARD SOCKET/ VALVE KEY
  5. ALL STEEL PARTS TO BE POWDER COATED.
  6. ALL WELDING ARE DONE PER AWS SPECIFICATIONS.

CAT#: VALVE STEM EXTENSION - ACWD STD.  
 COPYRIGHTED 2016 PLACER WATERWORK, INC. © ALL RIGHTS RESERVED - FOR DUPLICATION AUTHORIZATION MAY OBTAIN THRU: [kkern@placerwaterworks.com](mailto:kkern@placerwaterworks.com) \*\*\* CB: R.V. 02-23-2016 REV.01

WRENCH NUT STANDARD 2"  
 OPERATOR NUT TO FIT  
 STANDARD AWWA SOCKET

1/4" THK. x 6" Ø STEEL  
 STEADYING PLATE

2" x 1/8" O.D.  
 WASHER BOTH SIDES

1" DIA. SOLID STEEL  
 SHAFT STEM EXTENSION

STANDARD SOCKET/ VALVE KEY  
 TO FIT  
 STANDARD AWWA OPERATOR NUT

1" DIA. HOLES  
 (2) 180° APART

TBD

