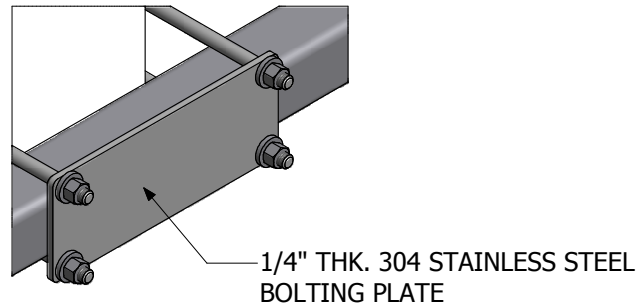




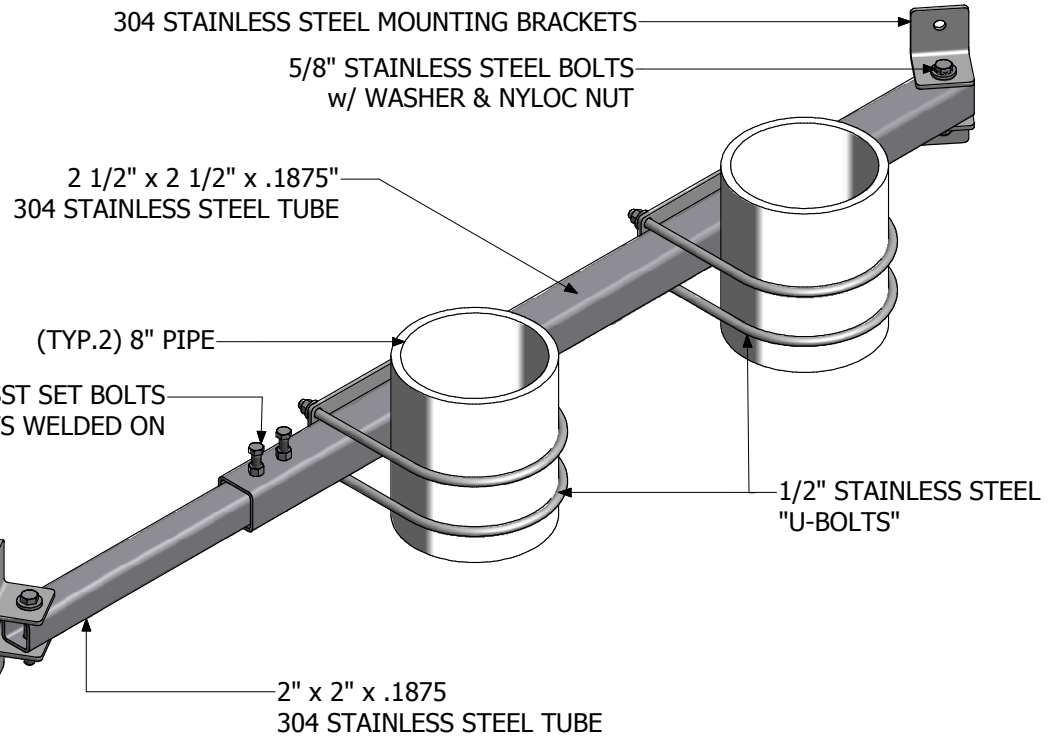
1325 Furneaux Road, Plumas Lakes, CA. 95961  
(530) 742-9675  
[www.placerwaterworks.com](http://www.placerwaterworks.com)

# 304 SST SEWER LIFT STATION BRACKET

## PW/SLSB-82



1/4" THK. 304 STAINLESS STEEL BOLTING PLATE



304 STAINLESS STEEL MOUNTING BRACKETS

5/8" STAINLESS STEEL BOLTS  
w/ WASHER & NYLOC NUT

2 1/2" x 2 1/2" x .1875"  
304 STAINLESS STEEL TUBE

(TYP.2) 8" PIPE

(TYP.2) 1/2" SST SET BOLTS  
W/ NUTS WELDED ON

1/2" STAINLESS STEEL  
"U-BOLTS"

304 STAINLESS STEEL MOUNTING BRACKETS

2" x 2" x .1875  
304 STAINLESS STEEL TUBE

### NOTES:

1. ALL MATERIAL TO BE 304 STAINLESS STEEL UNLESS OTHERWISE STATED.
2. SEWER LIFTING STATION ADJUSTABLE BRACKET WAS DESIGNED & PROVEN TO BE USER FRIENDLY FOR THE INSTALLER HANGING FROM ROPES, WEARING A HARNESS
3. 1/4" THK MOUNTING BRACKETS w/ 11/16" Ø HOLE FOR EASY INSTALLATION.

CAT#: PW/ SLSB-82

COPYRIGHTED 2015 PLACER WATERWORK, INC. © ALL RIGHTS RESERVED - FOR DUPLICATION AUTHORIZATION MAY OBTAIN THRU: [kkern@placerwaterworks.com](mailto:kkern@placerwaterworks.com)

CB: R.V. 08-25-2015 REV.00