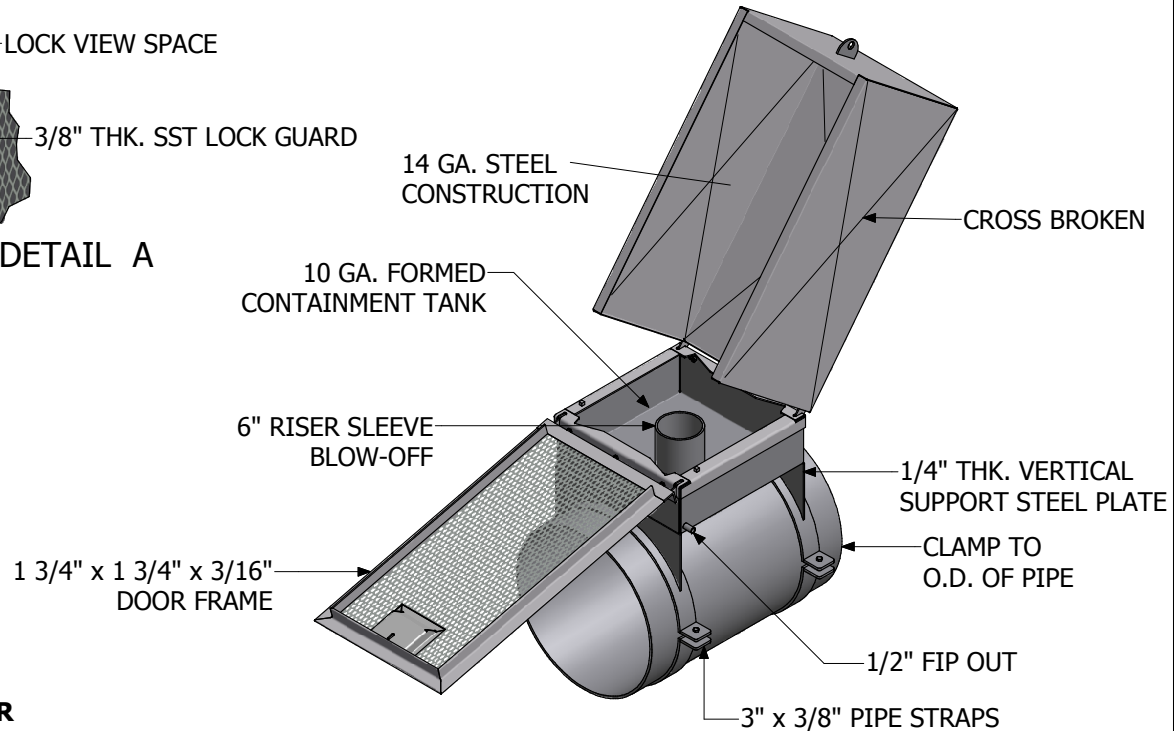
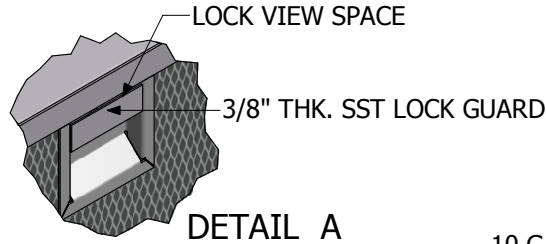
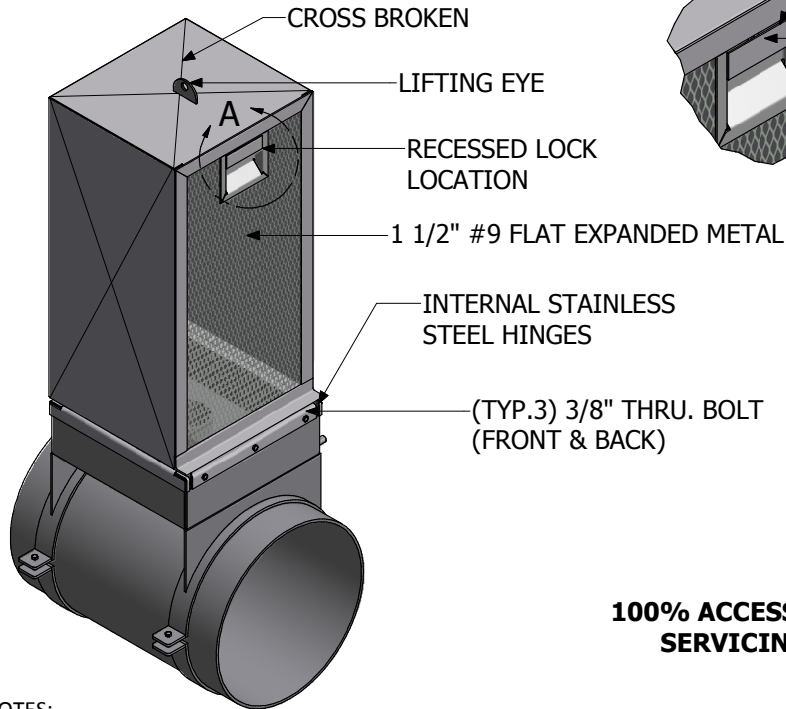




1325 Furneaux Road, Plumas Lakes, CA. 95961
 (530) 742-9675
 www.placerwaterworks.com

PIPE MOUNTED ARV ENCLOSURE RECLAIMED/SEWER PW/SJARV - P



100% ACCESS FOR SERVICING

NOTES:

1. ENCLOSURE TYPE: PIPE MOUNTED ARV ENCLOSURE RECLAIMED/SEWER
2. DOOR FRAME MATERIAL: 1-3/4" x 1-3/4" x 3/16" ANGLE IRON
3. ENCLOSURE MATERIAL: 14 GA. STEEL
4. DOORS WITH INTERNAL STAINLESS STEEL HINGES
5. CONTAINMENT TANK TO BE 10 GA. MATERIAL & 6" DEEP w/ 1/2" FIP OUTLET
6. ARV ENCLOSURE TO BE THRU. BOLTS TO CONTAINMENT TANK (FRONT & BACK SIDE)
7. PARTS TO BE SAND BLASTED TO SSPC-5 STANDARD SURFACE
8. ENCLOSURE TO BE ZINC RICH EPOXY PRIMER & TOP COATED 4.0 TO 6.0 MILS
9. ALL WELDING DONE PER AWS SPECIFICATIONS.

ALL MEASUREMENT STATED ARE INSIDE MEASUREMENT

CAT. #	WIDTH (DOOR)	LENGTH	HEIGHT
PW/SJARV-SP2	12	12	30
PW/SJARV-SP3	20	20	30
PW/SJARV-SP4	24	24	36
PW/SJARV-SP6	28	28	48
PW/SJARV-SP8	32	32	56