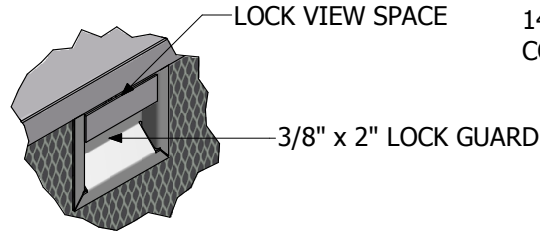
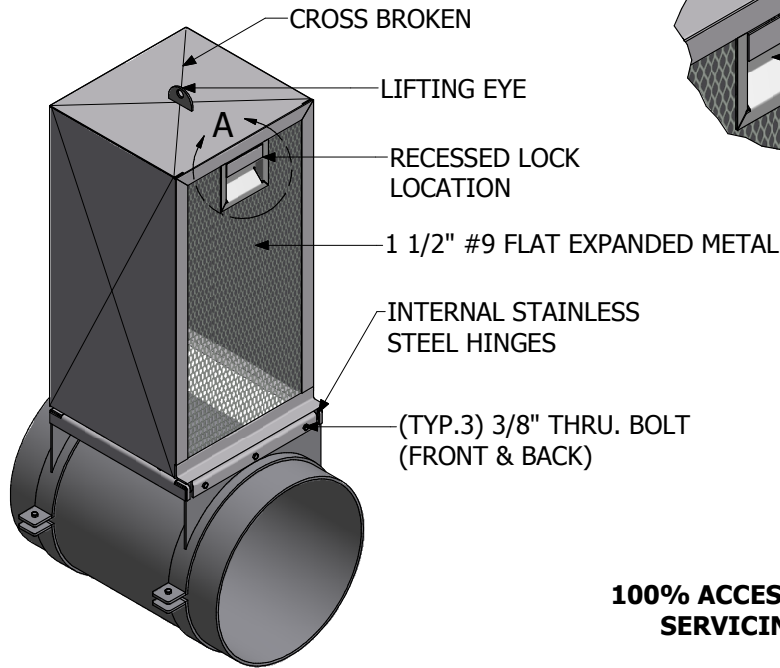




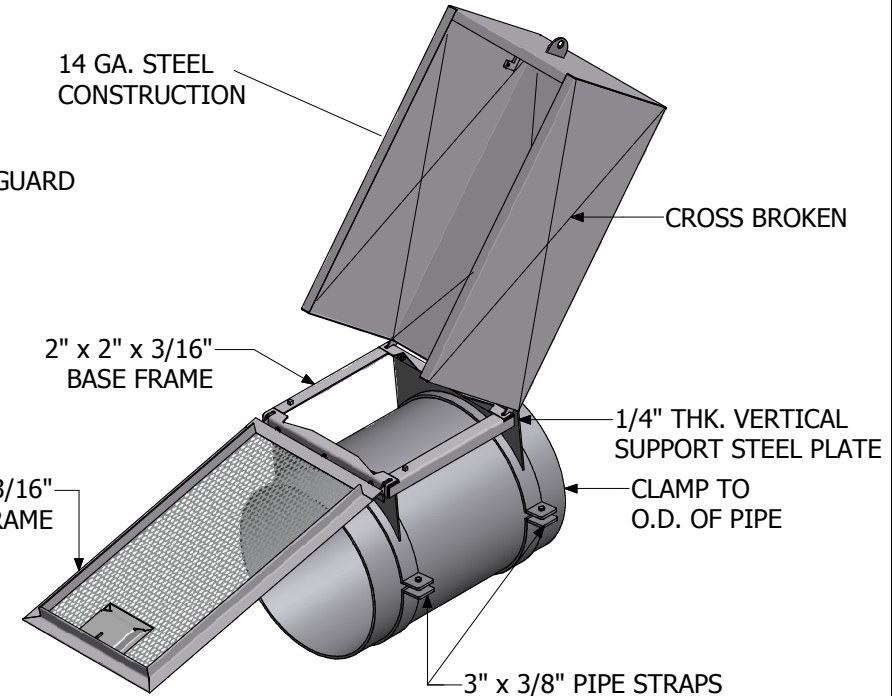
1325 Furneaux Road, Plumas Lakes, CA. 95961  
 (530) 742-9675  
 www.placerwaterworks.com

# PIPE MOUNTED ARV ENCLOSURE

## PW/SJARV - P



DETAIL A



**100% ACCESS FOR SERVICING**

NOTES:

1. ENCLOSURE TYPE: PIPE MOUNTED ARV ENCLOSURE
2. DOOR FRAME MATERIAL: 1-3/4" x 1-3/4" x 3/16" ANGLE IRON
3. ENCLOSURE MATERIAL: 14 GA. STEEL
4. DOORS WITH INTERNAL STAINLESS STEEL HINGES
5. ARV ENCLOSURE TO BE THRU. BOLTS TO CONTAINMENT TANK (FRONT & BACK SIDE)
6. PARTS TO BE SAND BLASTED TO SSPC-5 STANDARD SURFACE
7. ENCLOSURE TO BE ZINC RICH EPOXY PRIMER & TOP COATED 4.0 TO 6.0 MILS
8. ALL WELDING DONE PER AWS SPECIFICATIONS.

ALL MEASUREMENT STATED ARE INSIDE MEASUREMENT

CAT. #	WIDTH (DOOR)	LENGTH	HEIGHT
PW/SJARV-P2	12	12	30
PW/SJARV-P3	20	20	30
PW/SJARV-P4	24	24	36
PW/SJARV-P6	28	28	48
PW/SJARV-P8	32	32	56