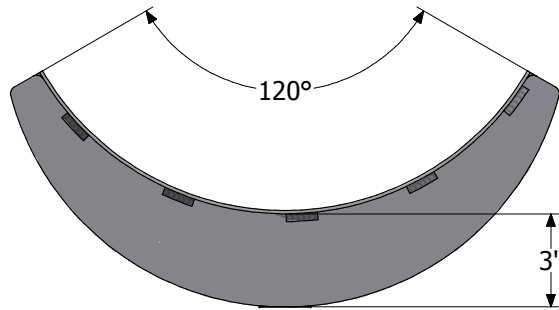




1325 Furneaux Road, Plumas Lakes, CA. 95961  
 (530) 742-9675  
 www.placerwaterworks.com

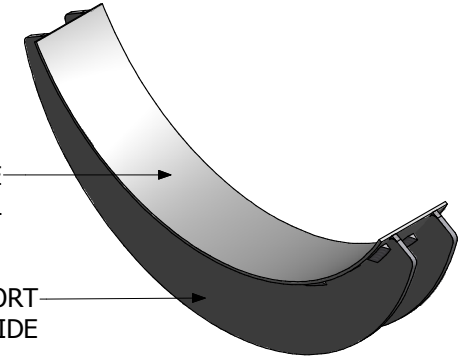
# EXTRA LARGE PIPE SUPPORT SADDLE



3/16" THK. SUPPORT



1-1/4" SCH.40 PIPE SLEEVE  
 W/ 1/2"Ø THRU. BOLT HOLE  
 (TO BE USED WITH PLACER WATERWORKS  
 STANDARD PIPE SUPPORT STAND)



FORMED 12 GAUGE  
 SHEET METAL

3/16" THK. SUPPORT  
 BOLT SIDE

**NOTES:**

1. MATERIAL: CARBON STEEL
2. SADDLE SUPPORT STYLE: EXTRA LARGE PIPE SUPPORT SADDLE
3. CORROSION PROTECTION:
  1. POWDER COATED (BLACK)
4. PIPE CLAMP SADDLE FABRICATED TO FIT PLACER WATERWORKS STANDARD PIPE SUPPORT STANDS (PW/PS\*\*\*\*-S OR PW/PS\*\*\*\*-Z).
5. CUSTOM MADE TO FIT SUPPORTS OF ANY SIZE CAN BE FABRICATED CONTACT PLACER WATERWORKS FOR MORE INFORMATION.
6. ALL WELDING IS DONE PER AWS SPECIFICATIONS.

SADDLE SUPPORTS							
CAT#	SIZE	SIZE	SIZE	SIZE	SIZE	SIZE	SIZE
PW/SDL-S	14"	16"	18"	20"	24"	26"	OTHER SIZES CONTACT PLACER WATERWORKS FOR MORE INFO.

CAT#: PW/PS\*\*\*\* - X

COPYRIGHTED 2014 PLACER WATERWORK, INC. © ALL RIGHTS RESERVED - FOR DUPLICATION AUTHORIZATION MAY OBTAIN THRU: kkern@placerwaterworks.com

CB: K.K. 12-18-2014 REV. 01