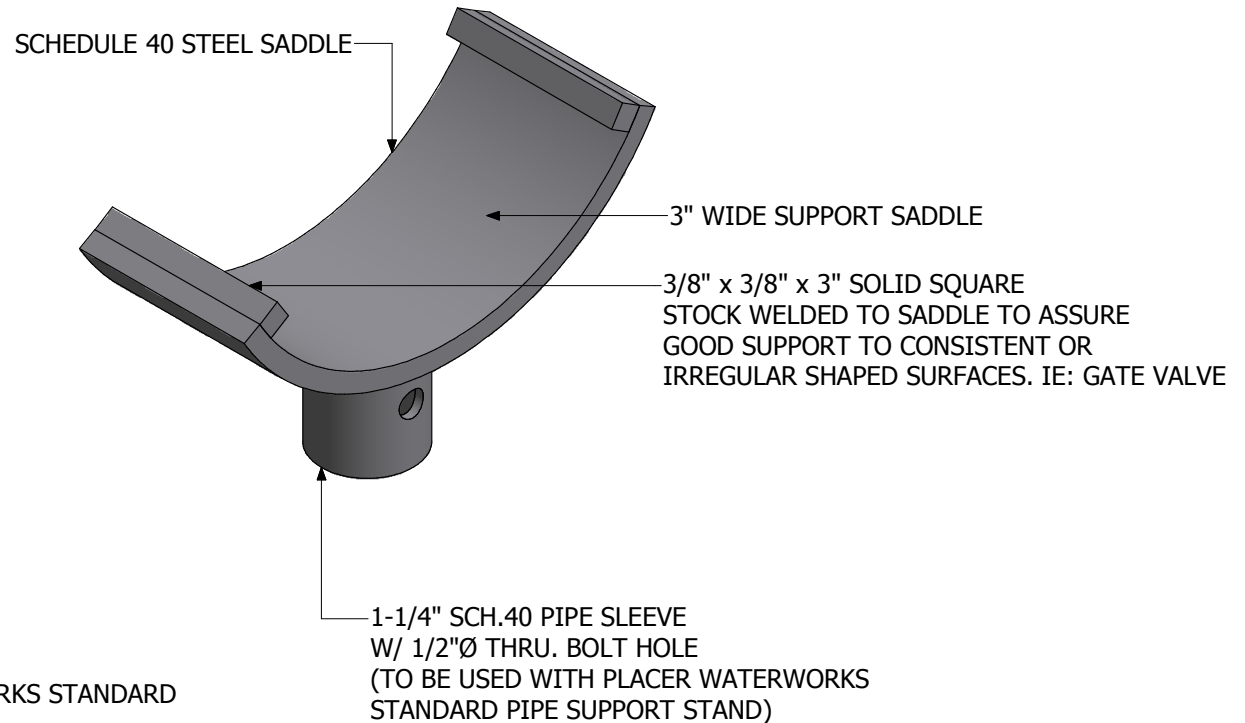
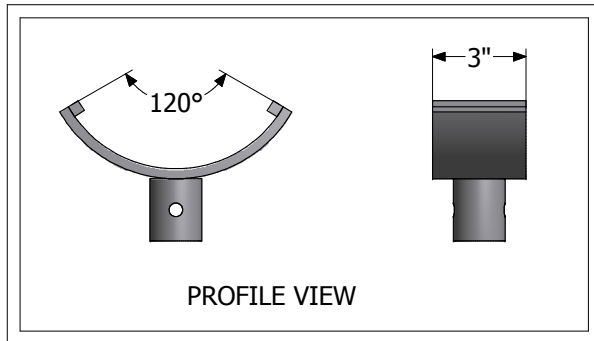




1325 Furneaux Road, Plumas Lakes, CA. 95961  
 (530) 742-9675  
 www.placerwaterworks.com

# STANDARD PIPE SUPPORT SADDLE



- NOTES:
1. MATERIAL: CARBON STEEL
  2. SADDLE SUPPORT STYLE: STANDARD PIPE SUPPORT SADDLE
  3. CORROSION PROTECTION:
    1. POWDER COATED (BLACK)
  4. PIPE CLAMP SADDLE FABRICATED TO FIT PLACER WATERWORKS STANDARD PIPE SUPPORT STANDS (PW/PS\*\*\*\*-S OR PW/PS\*\*\*\*-Z).
  5. CUSTOM MADE TO FIT SUPPORTS OF ANY SIZE CAN BE FABRICATED CONTACT PLACER WATERWORKS FOR MORE INFORMATION.
  6. ALL WELDING IS DONE PER AWS SPECIFICATIONS.

SADDLE SUPPORTS								
CAT#	SIZE	SIZE	SIZE	SIZE	SIZE	SIZE	SIZE	SIZE
PW/SDL-S	2-3"	4"	6"	8"	10"	12"	14"	16"-26" CONTACT PLACER WATERWORKS FOR MORE INFO.

CAT#: PW/PS\*\*\*\* - S

COPYRIGHTED 2014 PLACER WATERWORK, INC. © ALL RIGHTS RESERVED - FOR DUPLICATION AUTHORIZATION MAY OBTAIN THRU: kkern@placerwaterworks.com

CB: K.K. 12-18-2014 REV. 01