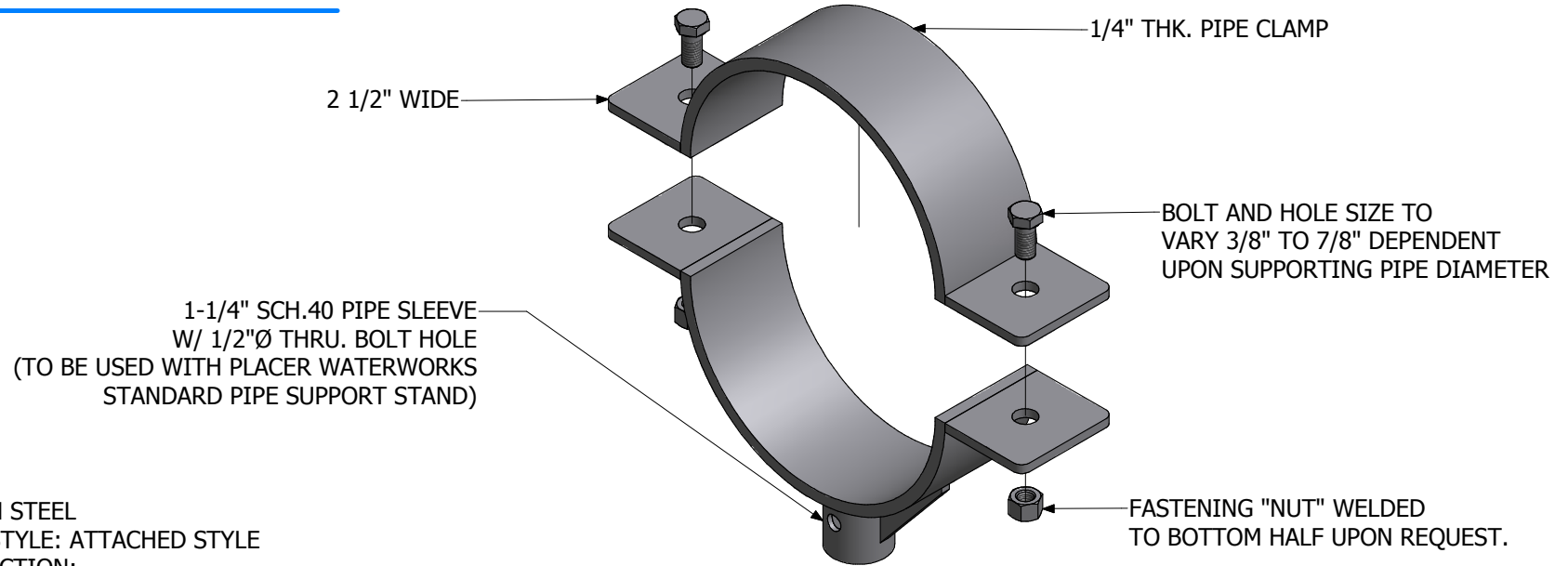




1325 Furneaux Road, Plumas Lakes, CA. 95961
 (530) 742-9675
 www.placerwaterworks.com

ATTACHED STYLE PIPE SUPPORT SADDLE



NOTES:

1. MATERIAL: CARBON STEEL
2. SADDLE SUPPORT STYLE: ATTACHED STYLE
3. CORROSION PROTECTION:
 1. POWDER COATED (BLACK)
4. PIPE CLAMP SADDLE FABRICATED TO FIT PLACER WATERWORKS STANDARD PIPE SUPPORT STANDS (PW/PS****-S OR PW/PS****-Z).
5. CUSTOM MADE TO FIT SUPPORTS OF ANY SIZE CAN BE FABRICATED CONTACT PLACER WATERWORKS FOR MORE INFORMATION.
6. ALL WELDING IS DONE PER AWS SPECIFICATIONS.

SADDLE SUPPORTS												
CAT#	SIZE	SIZE	SIZE	SIZE	SIZE	SIZE	SIZE	SIZE	SIZE	SIZE	SIZE	SIZE
PW/SDL-A	2-3"	4"	6"	8"	10"	12"	14"	16"	18"	20"	24"	26"

CAT#: PW/PS**** - A

COPYRIGHTED 2014 PLACER WATERWORK, INC. © ALL RIGHTS RESERVED - FOR DUPLICATION AUTHORIZATION MAY OBTAIN THRU: kkern@placerwaterworks.com

CB: K.K. 12-18-2014 REV. 01