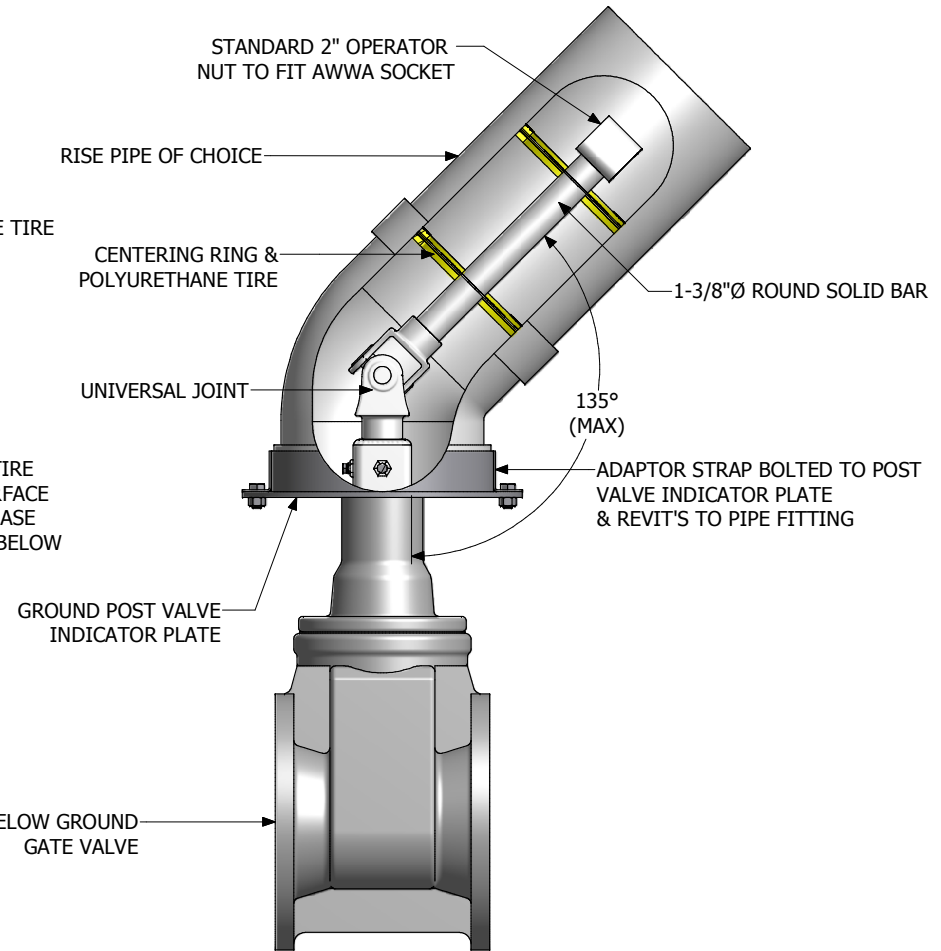
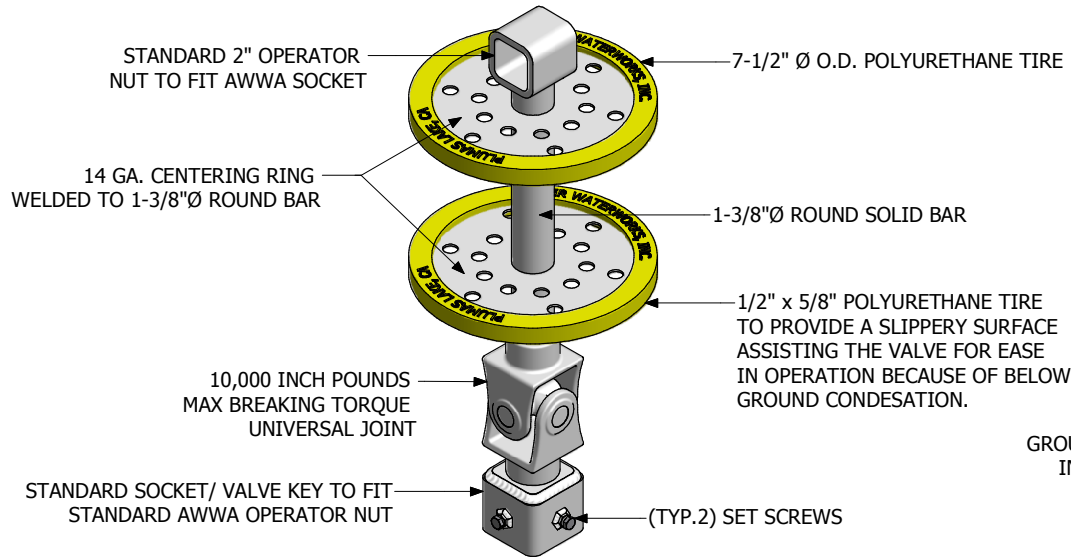




1325 Furneaux Road, Plumas Lakes, CA. 95961
 (530) 742-9675
 www.placerwaterworks.com

POLYURETHANE CENTERING DEVICE UNIVERSAL (PCDU)



NOTES:

1. VALVE STEM EXTENSION MATERIALS TO BE 1-3/8" DIA. SOLID STEEL SHAFT
2. VALVE STEM EXTENSION TO HAVE STANDARD 2" OPERATOR NUT W/ STANDARD SOCKET/ VALVE KEY
3. ALL PARTS TO BE POWDER COATED WHITE.
4. ALL WELDING ARE DONE PER AWS SPECIFICATIONS.
5. AVAILABLE FOR 8" RISER ONLY.
6. U-JOINT MAXIMUM OPERATION @45° & MAX. TORQUE OF 10, 000 IN. LB

***** NOTE: ROATING VALVE @ BOLT PATTERN ASSISTS THE USE OF (PCDU) *****

CAT#: PW/ PCDU
 COPYRIGHTED 2014 PLACER WATERWORK, INC. © ALL RIGHTS RESERVED - FOR DUPLICATION AUTHORIZATION MAY OBTAIN THRU: kkern@placerwaterworks.com

CB: R.V. 10-08-2014 REV.01