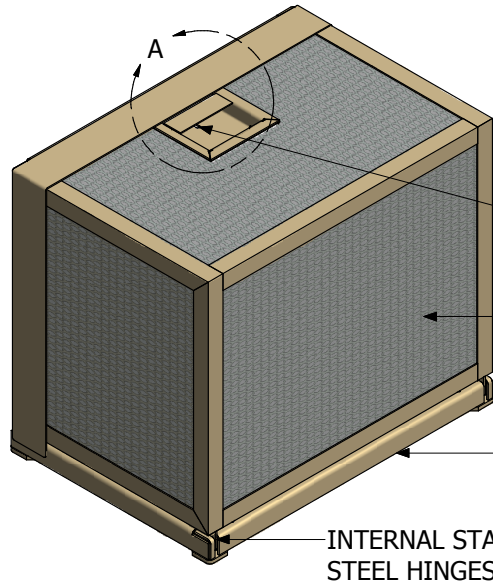


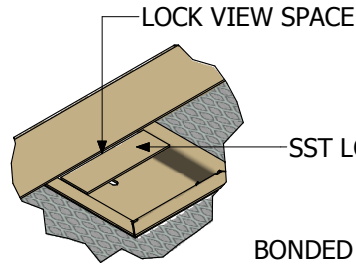


1325 Furneaux Road, Plumas Lakes, CA. 95961  
 (530) 742-9675  
 www.placerwaterworks.com

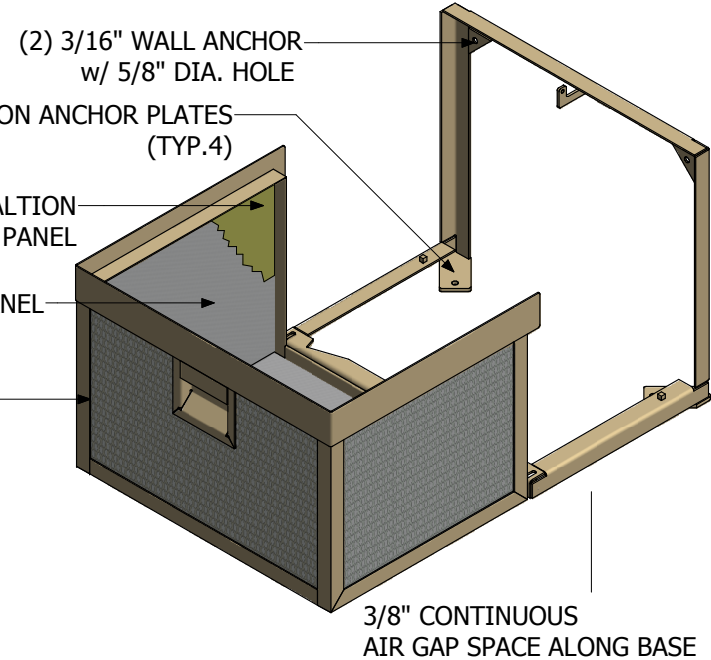
# PW/EOSW - INSULATED WALL MOUNTED ENCLOSURE



RECESSED LOCK LOCATION  
 #9 EXPANDED METAL  
 BASE FRAME  
 2" x 2" x 1/8"  
 INTERNAL STAINLESS STEEL HINGES



**DETAIL A**



LOCK VIEW SPACE  
 SST LOCK GUARD  
 FOUNDATION ANCHOR PLATES (TYP.4)  
 1" STYROFOAM INSULATION BONDED TO 22GA. GALVANIZED PANEL  
 22 GA. GALVANIZED PANEL  
 1 3/4" x 1 3/4" x 3/16" DOOR FRAME

(2) 3/16" WALL ANCHOR w/ 5/8" DIA. HOLE

**100% ACCESS FOR SERVICING**

3/8" CONTINUOUS AIR GAP SPACE ALONG BASE

**NOTES:**

- ENCLOSURE TYPE: EOSW - INSULATED WALL MOUNTED ENCLOSURE
- FRAME MATERIAL: 1-3/4" x 1-3/4" x 3/16" ANGLE IRON W/ 2" x 2" x 1/8" BASE FRAME
- EXPANDED METAL SCREEN IS NO.9 W/ 1-1/2" WELDED EVERY 6"
- (4) FOUNDATION ANCHOR PLATES 3/8" WITH 5/8" DIA. HOLE AND (2) 3/8" WALL ANCHOR w/ 5/8" DIA. HOLE
- ALL PARTS TO BE SAND BLASTED TO SSPC-5 w/ METAL BLAST, w/ A 3-4 MILS ANGULAR PROFILE
- POWDER COATED TO 2-3 MILS THICKNESS AFTER FABRICATION
- SECURITY BY ONE RECESSED LOCK
- ALL MEASUREMENTS ARE INSIDE MEASUREMENTS
- ALL WELDING DONE PER AWS SPECIFICATIONS.  
 CAT#: PW/EOSW - STD

ALL MEASUREMENT STATED ARE INSIDE MEASUREMENT

| CAT. #          | WIDTH | LENGTH (DOOR) | HEIGHT |
|-----------------|-------|---------------|--------|
| PW/ EOSW - (XS) | 12"   | 24"           | 24"    |
| PW/ EOSW - (S)  | 14"   | 30"           | 24"    |
| PW/ EOSW - (M)  | 17"   | 40"           | 30"    |
| PW/ EOSW - (L)  | 20"   | 50"           | 36"    |