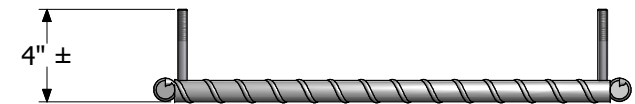
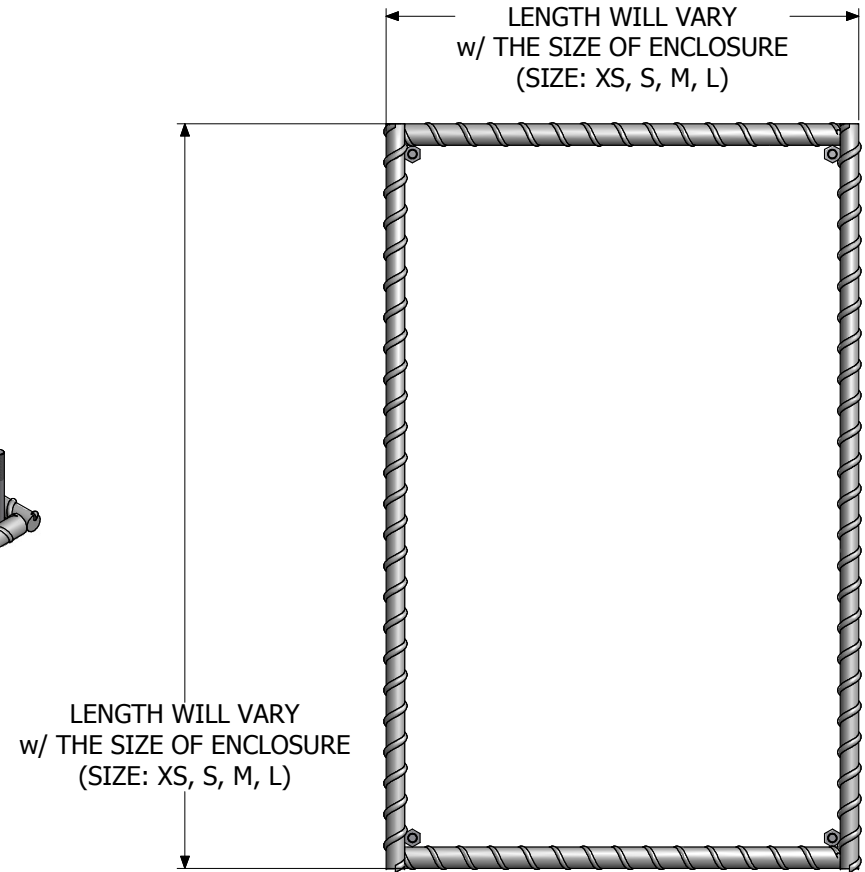
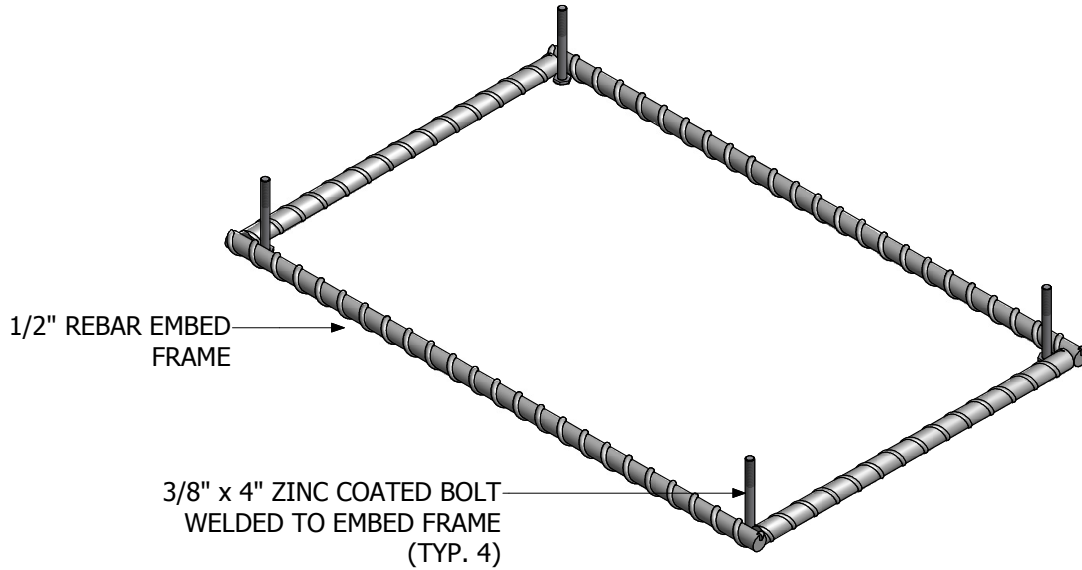




1325 Furneaux Road, Plumas Lakes, CA. 95961
 (530) 742-9675
www.placerwaterworks.com

PW/E1X-E - CONCRETE EMBED



- NOTES:
1. ENCLOSURE CONCRETE EMBED TYPE: E1X
 2. EMBED MATERIAL: 1/2" REBAR
 3. EMBED PROVIDES CONCRETE RE-ENFORCEMENT
 4. FOR CUSTOM SIZED ENCLOSURE THIS DESIGN WILL BE UTILIZED.
 5. ALL WELDING DONE PER AWS SPECIFICATIONS.

CAT#: PW/E1X - E

Copyrighted 2014 Placer Waterworks, Inc. © All Rights Reserved - For Duplication Authorization may obtain thru: kkern@placerwaterworks.com

CB: K.K 09-26-2014 REV.01