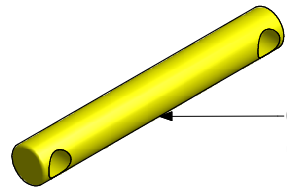
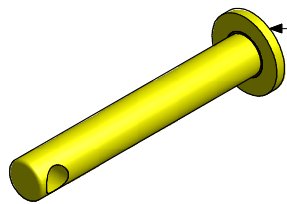




1325 Furneaux Road, Plumas Lakes, CA. 95961
 (530) 742-9675
www.placerwaterworks.com

COLLAPSIBLE BOLLARD - 90° PW/CGP-3"

PWW STD. STAINLESS STEEL
 3/4" Ø SINGLE LOCK BAR

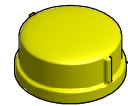
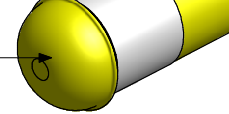


OPTIONAL
 (3/4" Ø STAINLESS STEEL DOUBLE LOCK BAR)

GALV. WELDED CAP

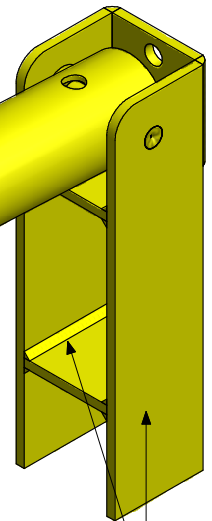
3" SCH. 40 PIPE
 (3 1/2" Ø O.D.)

REFLECTIVE TAPE
 (OPTIONAL)



OPTIONAL THREADED CAP
 OR PLAIN END

3/8" x 4" FLAT BAR



NOTES:

1. BOLLARD TO BE ASTM A53 BLACK PIPE SCHEDULE 40
2. BOLLARD PIPE SIZE 3" SCH.40
3. BOLLARD COLLASIBLE : 90°
4. WHEN COLLAPSED OVERALL HEIGHT IS LESS THAN 5"
5. WHEN LOCKED UPRIGHT HEIGHT IS 30" ±
6. ALL WELDING ARE DONE PER AWS SPECIFICATIONS.
7. BOLLARD TO BE POWDER COATED SAFETY YELLOW

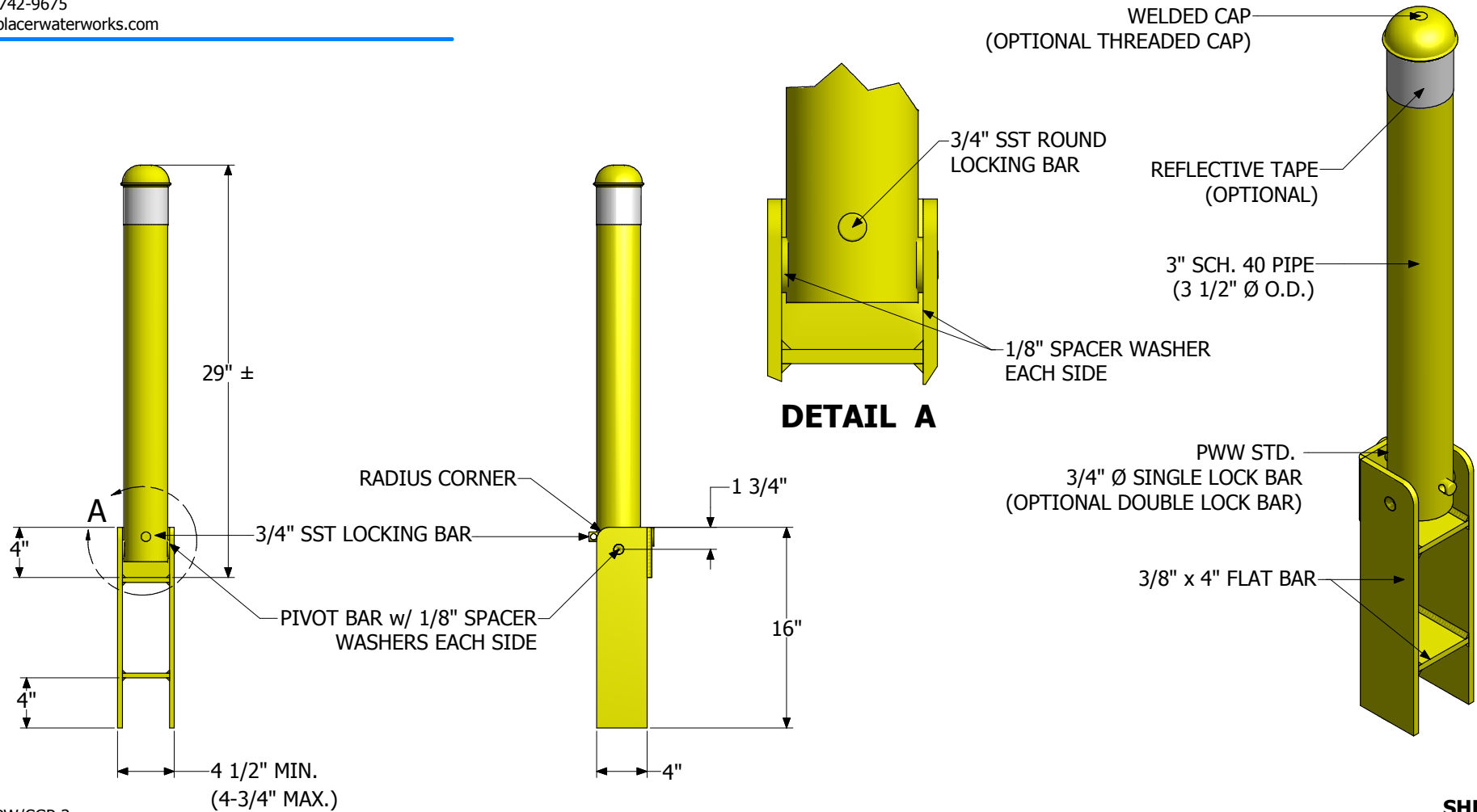
***** 90° COLLASIBLE *****



1325 Furneaux Road, Plumas Lakes, CA. 95961
(530) 742-9675
www.placerwaterworks.com

COLLAPSIBLE BOLLARD - 90°

PW/CGP-3"



CAT#: PW/CGP-3

Copyrighted 2015 Placer Waterworks, Inc. © All Rights Reserved - For Duplication Authorization may obtain thru: kkern@placerwaterworks.com

SHEET 2 OF 2
***** C.B.: R.V. 01/20/2015 REV.03**