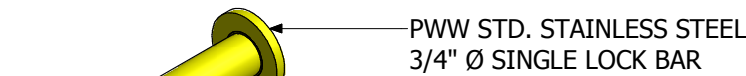




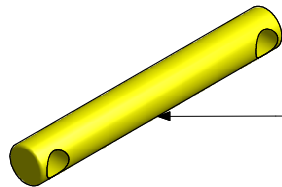
1325 Furneaux Road, Plumas Lakes, CA. 95961  
 (530) 742-9675  
[www.placerwaterworks.com](http://www.placerwaterworks.com)

# COLLAPSIBLE BOLLARD - 90°

## PW/CGP- 2 1/2"



PWW STD. STAINLESS STEEL  
3/4" Ø SINGLE LOCK BAR

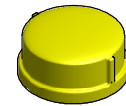


OPTIONAL  
(3/4" Ø STAINLESS STEEL DOUBLE LOCK BAR)

2 1/2" SCH. 40 PIPE  
(2 7/8 Ø O.D.)

REFLECTIVE TAPE  
(OPTIONAL)

GALV. WELDED CAP



OPTIONAL THREADED CAP  
OR PLAIN END

3/8" x 4" FLAT BAR

**NOTES:**

1. BOLLARD TO BE ASTM A53 BLACK PIPE SCHEDULE 40
2. BOLLARD PIPE SIZE 2-1/2" SCH.40
3. BOLLARD COLLASIBLE : 90°
4. WHEN COLLAPSED OVERALL HEIGHT IS LESS THAN 5"
5. WHEN LOCKED UPRIGHT HEIGHT IS 30" ±
6. ALL WELDING ARE DONE PER AWS SPECIFICATIONS.
7. BOLLARD TO BE POWDER COATED SAFETY YELLOW

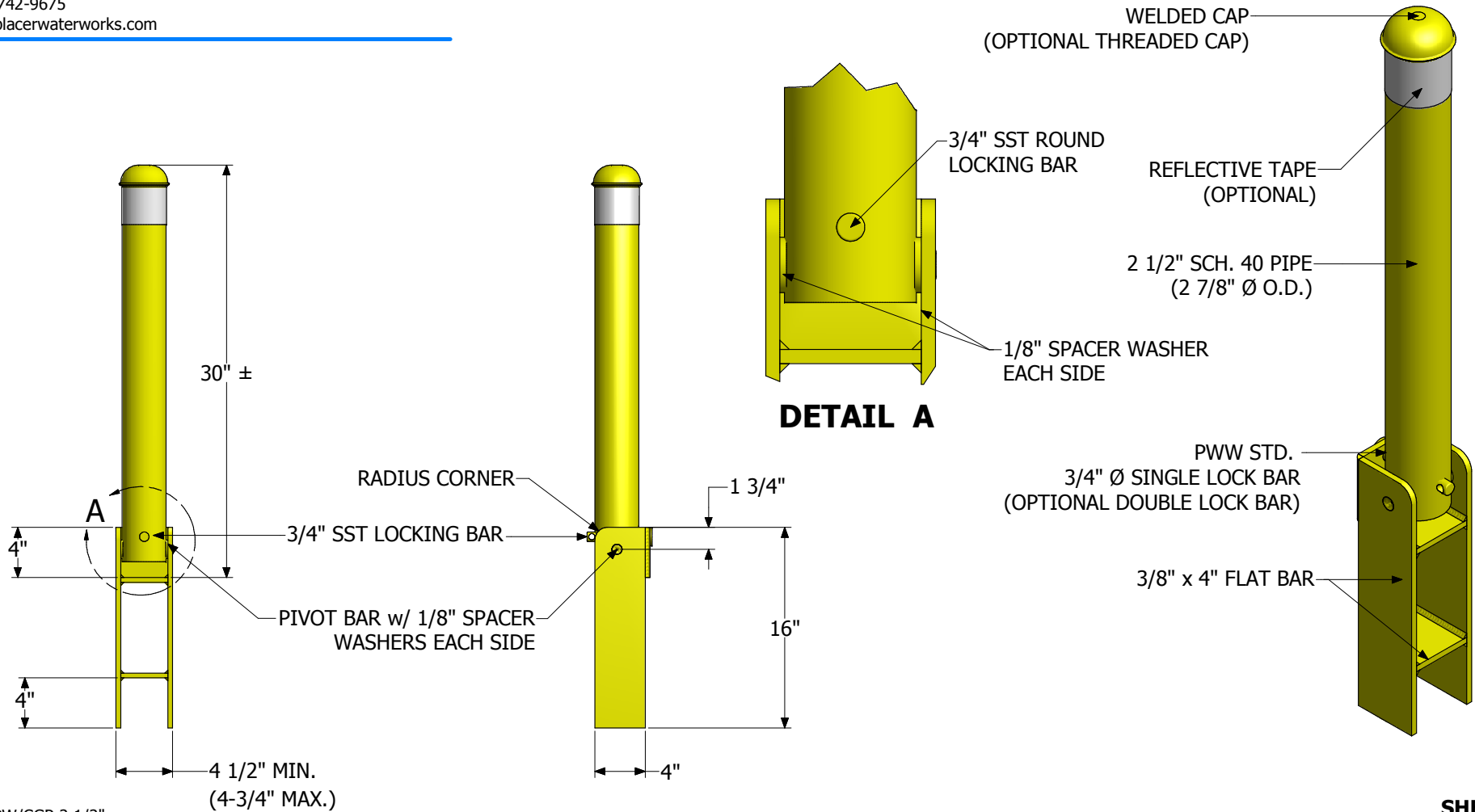
**\*\*\* 90° COLLASIBLE \*\*\***



1325 Furneaux Road, Plumas Lakes, CA. 95961  
(530) 742-9675  
[www.placerwaterworks.com](http://www.placerwaterworks.com)

# COLLAPSIBLE BOLLARD - 90°

## PW/CGP- 2 1/2"



CAT#: PW/CGP-2 1/2"

Copyrighted 2015 Placer Waterworks, Inc. © All Rights Reserved - For Duplication Authorization may obtain thru: [kkern@placerwaterworks.com](mailto:kkern@placerwaterworks.com)

**SHEET 2 OF 2**  
\*\*\* C.B.: R.V. 01/20/2015 REV.03