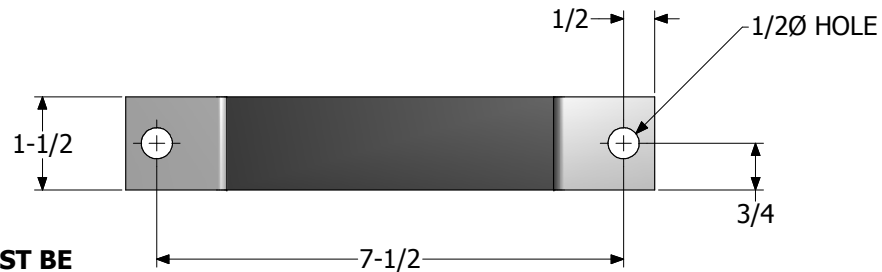
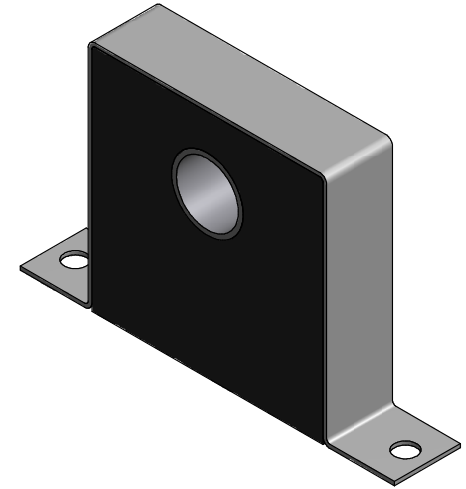
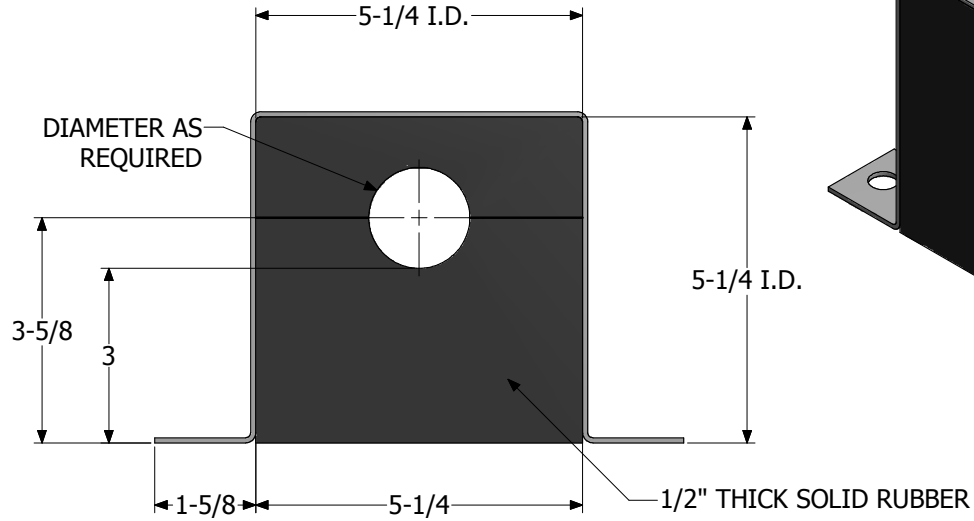
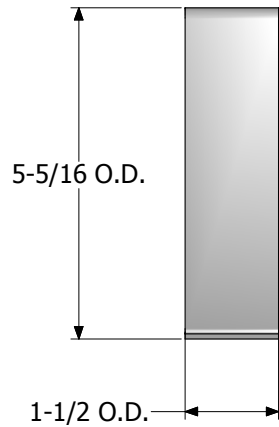




1325 FURNEAUX ROAD, PLUMAS LAKES, CA. 95961
 (530) 742-9675
 www.placerwaterworks.com

BUBBLER TUBE HARDWARE PW/BTFH



- NOTES:
1. MAXIMUM SPACING BETWEEN BRACKETS IS 60"
 2. 1-1/2" THICK SOLID RUBBER GRIPS BUBBLER TUBE.
 3. FORMED 14 GA. STAINLESS STEEL BANDING.
 4. **BUBBLER TUBE SIZE USED FOR EACH PROJECT MUST BE CONFIRMED BEFORE FABRICATIONS.**

CAT#: PW/ BTFH