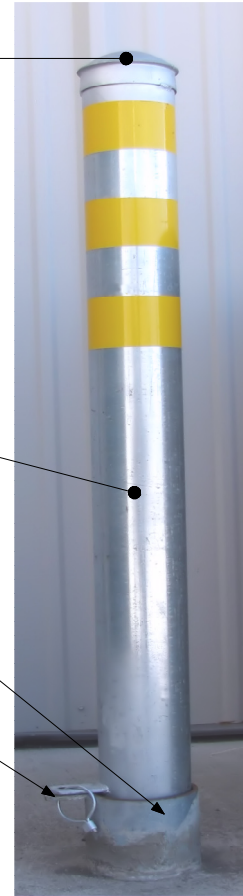
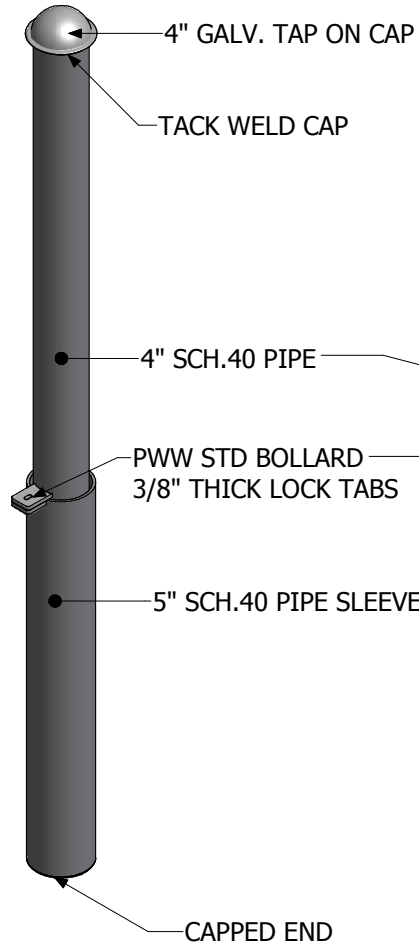
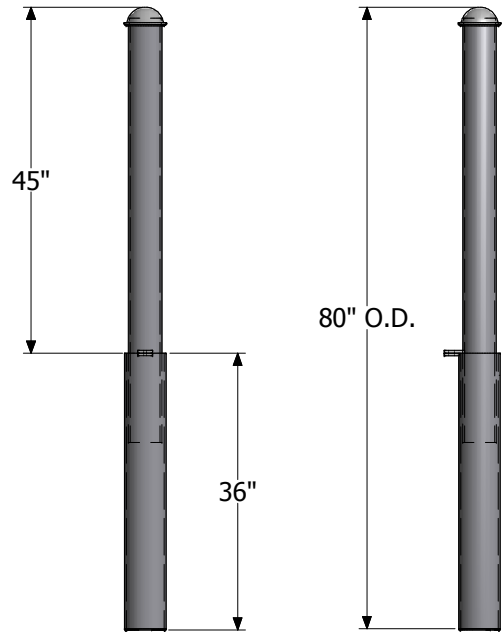




1325 Furneaux Road, Plumas Lakes, CA. 95961
 (530) 742-9675
 www.placerwaterworks.com

REMOVABLE BOLLARD

PW/ BRL - PG&E



NOTES:

1. BOLLARD TO BE ASTM A53 BLACK PIPE SCHEDULE 40
2. BOLLARD PIPE SIZE 4" SCH.40
3. BOLLARD SLEEVE 5" SCH.40
4. ALL WELDING ARE DONE PER AWS SPECIFICATIONS.
5. BOLLARD TO BE POWDER COATED SAFETY YELLOW (OPTIONAL)
6. REFLECTIVE TAPE SUPPLY BY OTHER.

CAT#: BRL - PG&E B-BLACK

Copyrighted 2014 Placer Waterworks, Inc. © All Rights Reserved - For Duplication Authorization may obtain thru: kkern@placerwaterworks.com

SHEET 1 OF 2

C.B.: R.V. 12/18/2014 REV.01