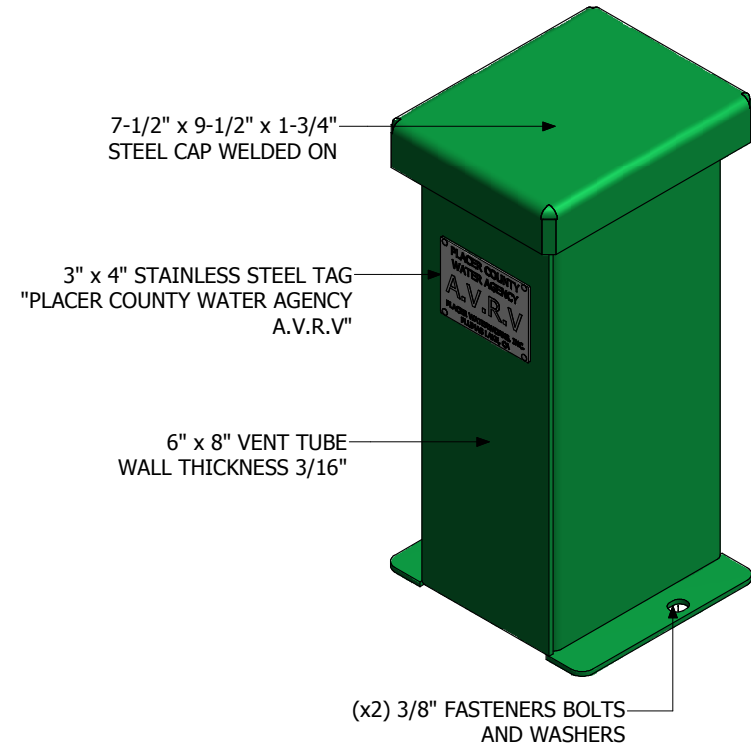
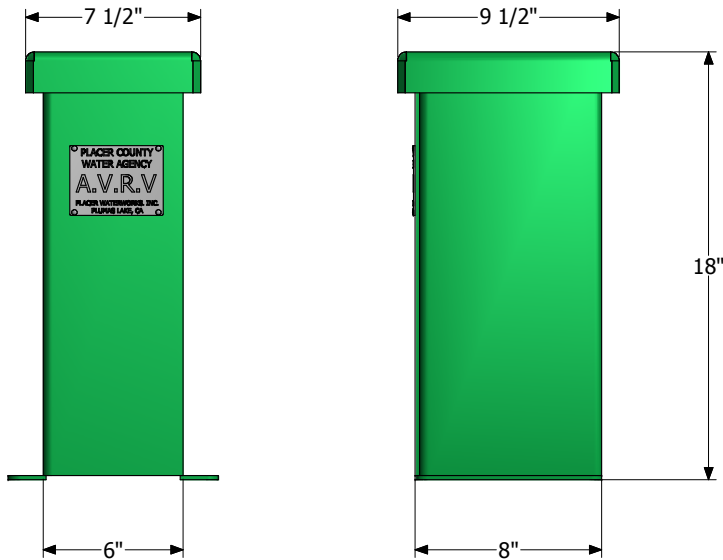




1325 Furneaux Road, Plumas Lakes, CA. 95961
 (530) 742-9675
www.placerwaterworks.com

AIR VET TUBE PW/AV18-MP



NOTES:

1. ALL PARTS TO BE POWDER COATED TO A THICKNESS OF 3-5 MILLS.
2. 1/2" GAP ON TOP PROVIDES 18 SQ. INCHES OF VENTILATION SURFACE AT TOP TUBE.
3. 1/4" GAP AT BASE OF TUBE ON TWO SIDES PROVIDES ADDITIONAL 4 SQ. INCHES OF VENTING.
4. ALL WELDING DONE PER AWS SPECIFICATIONS.

**STANDARD FOR
PLACER COUNTY WATER AGENCY**