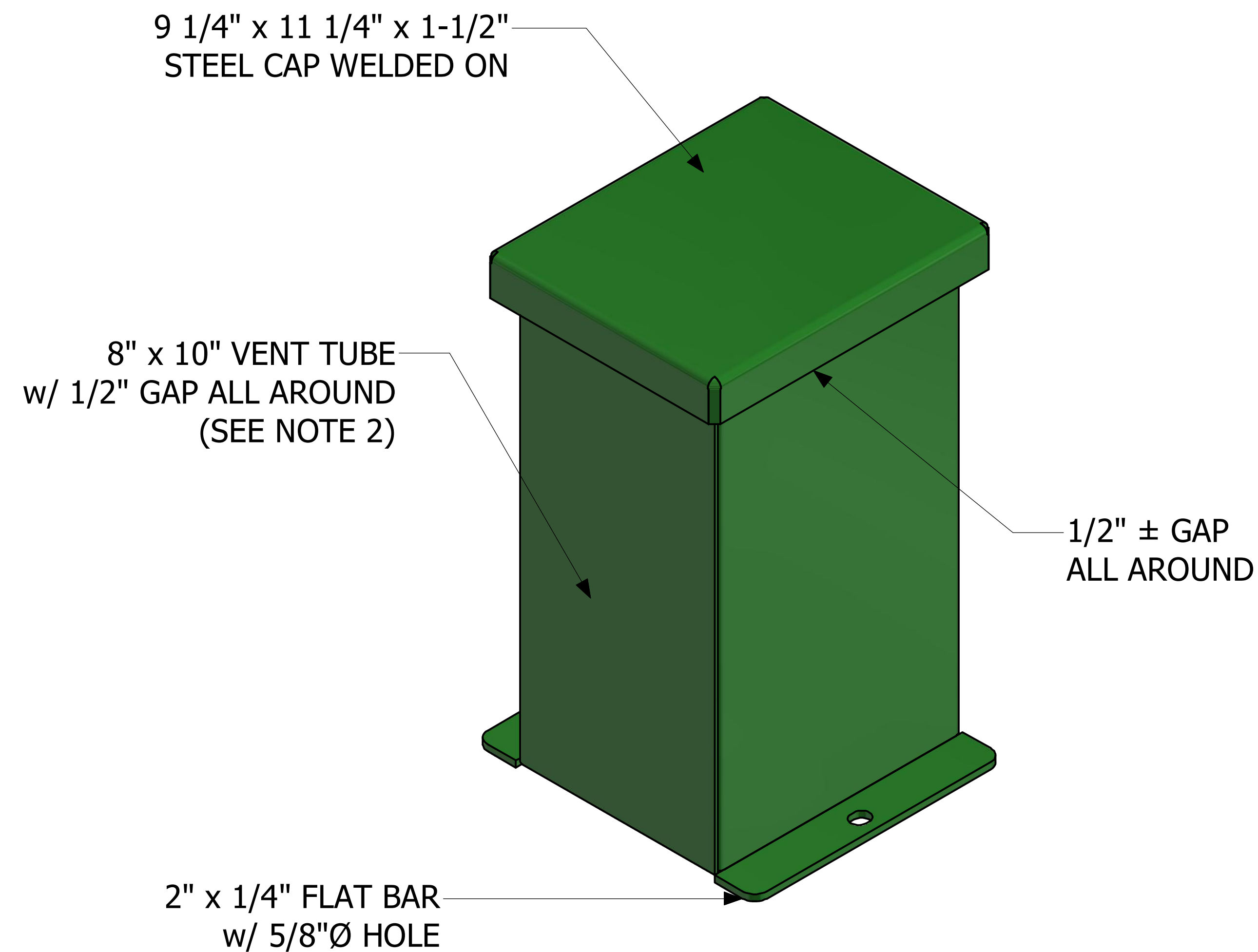
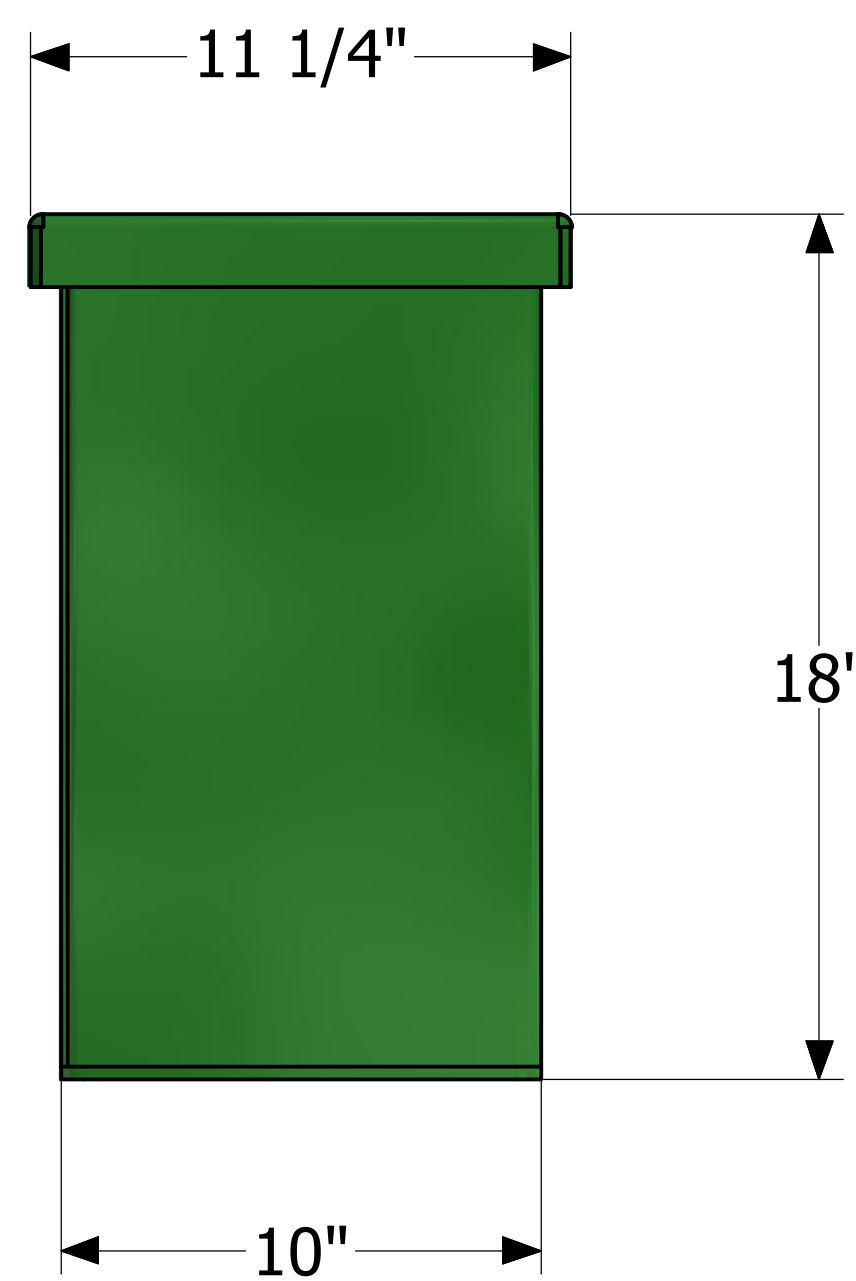
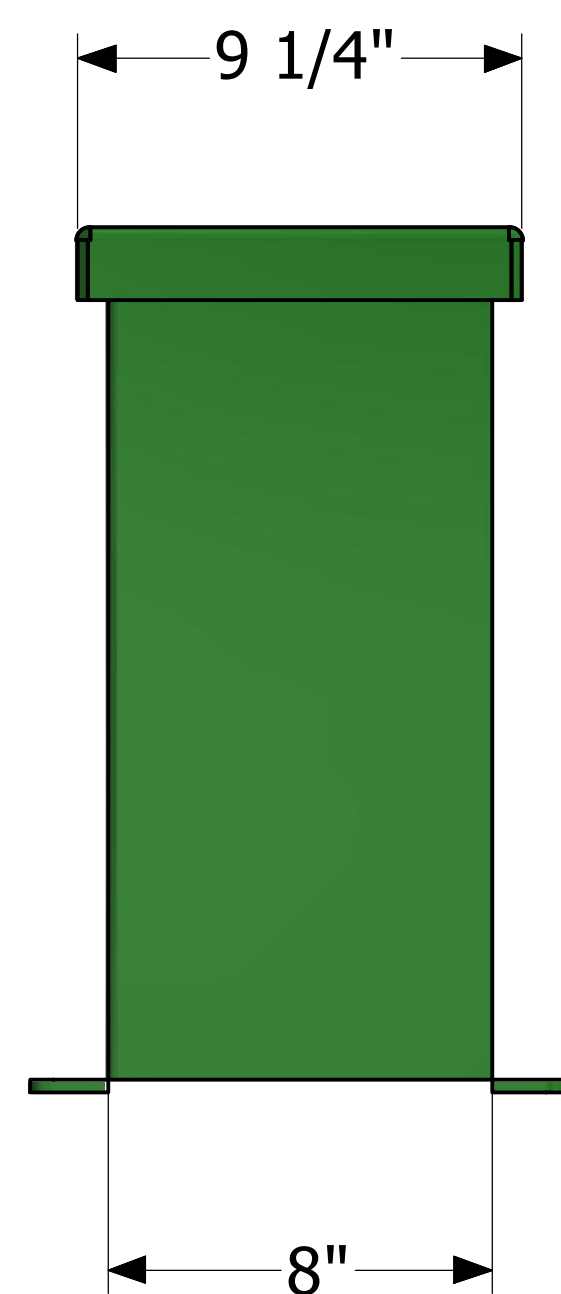




1325 Furneaux Road, Plumas Lakes, CA. 95961  
 (530) 742-9675  
[www.placerwaterworks.com](http://www.placerwaterworks.com)

# AIR VENT TUBE

## PW/AV18-MC



**NOTES:**

1. MATERIAL TO BE: 10 GAUGE
2. ALL PARTS TO BE POWDER COATED TO A THICKNESS OF 3-5 MILLS.
3. 1/2" GAP ON TOP PROVIDES 18 SQ. INCHES OF VENTILATION SURFACE AT TOP TUBE.
4. 1/4" GAP AT BASE OF TUBE ON TWO SIDES PROVIDES ADDITIONAL 4 SQ. INCHES OF VENTING.
5. ALL WELDING DONE PER AWS SPECIFICATIONS.

CAT#: AV18-MC

COPYRIGHTED 2018 PLACER WATERWORK, INC. © ALL RIGHTS RESERVED - FOR DUPLICATION AUTHORIZATION MAY OBTAIN THRU: [kkern@placerwaterworks.com](mailto:kkern@placerwaterworks.com)

CB: K.K. 11-07-2018 REV.01