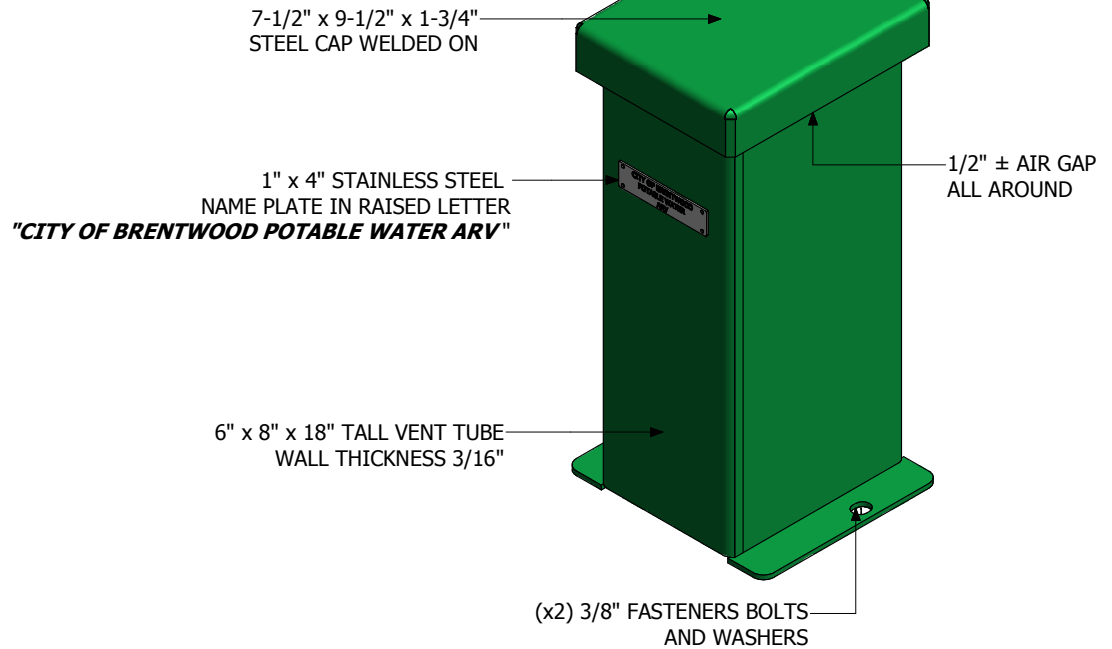
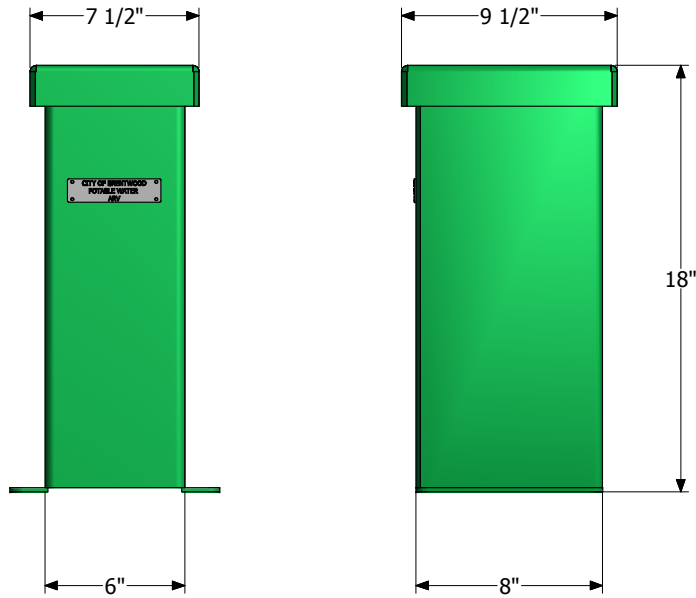




1325 Furneaux Road, Plumas Lakes, CA. 95961
 (530) 742-9675
www.placerwaterworks.com

AIR VENT TUBE PW/AV18-MB



- NOTES:
1. ALL PARTS TO BE POWDER COATED TO A THICKNESS OF 3-5 MILLS.
 2. 1/2" GAP ON TOP PROVIDES 18 SQ. INCHES OF VENTILATION SURFACE AT TOP TUBE.
 3. 1/4" GAP AT BASE OF TUBE ON TWO SIDES PROVIDES ADDITIONAL 4 SQ. INCHES OF VENTING.
 4. ALL WELDING DONE PER AWS SPECIFICATIONS.

STANDARD FOR CITY OF BRENTWOOD

CAT#: PW/AV18-MB (STANDARD FOR CITY OF BRENTWOOD)

COPYRIGHTED 2015 PLACER WATERWORK, INC. © ALL RIGHTS RESERVED - FOR DUPLICATION AUTHORIZATION MAY OBTAIN THRU: kkern@placerwaterworks.com

SHEET 1 OF 1
CB: K.K. 01-20-2015 REV.03