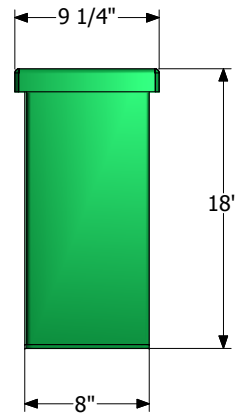
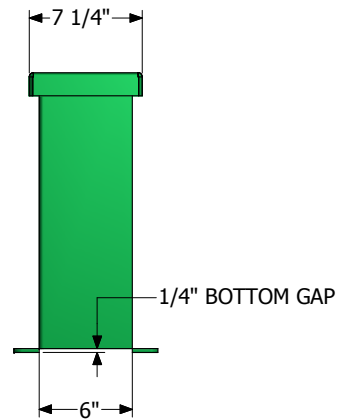
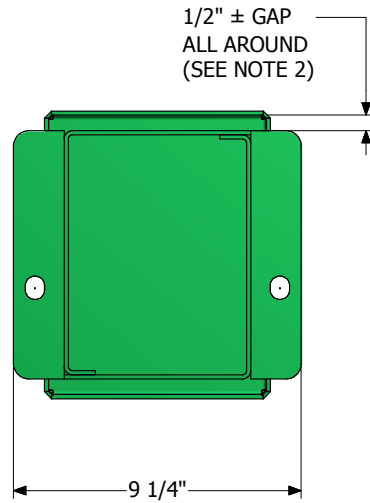




1325 Furneaux Road, Plumas Lakes, CA. 95961  
 (530) 742-9675  
[www.placerwaterworks.com](http://www.placerwaterworks.com)

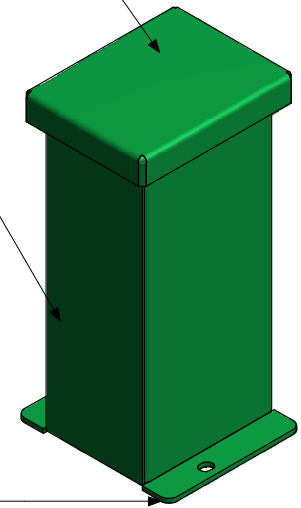
# AV18-M



7-1/4" x 9-1/4" x 1-1/2"  
 STEEL CAP WELDED ON

6" x 8" VENT TUBE  
 WALL THICKNESS 3/16"  
 w/ 1/2" GAP ALL AROUND  
 (SEE NOTE 2)

2" x 1/4" FLAT BAR  
 w/ 5/8"Ø HOLE



**NOTES:**

1. ALL PARTS TO BE POWDER COATED TO A THICKNESS OF 3-5 MILLS.
2. 1/2" GAP ON TOP PROVIDES 18 SQ. INCHES OF VENTILATION SURFACE AT TOP TUBE.
3. 1/4" GAP AT BASE OF TUBE ON TWO SIDES PROVIDES ADDITIONAL 4 SQ. INCHES OF VENTING.
4. ALL WELDING DONE PER AWS SPECIFICATIONS.

CAT#: AV18-M

COPYRIGHTED 2014 PLACER WATERWORK, INC. © ALL RIGHTS RESERVED - FOR DUPLICATION AUTHORIZATION MAY OBTAIN THRU: [kkern@placerwaterworks.com](mailto:kkern@placerwaterworks.com)

**CB: R.V. 10-01-2014 REV.02**