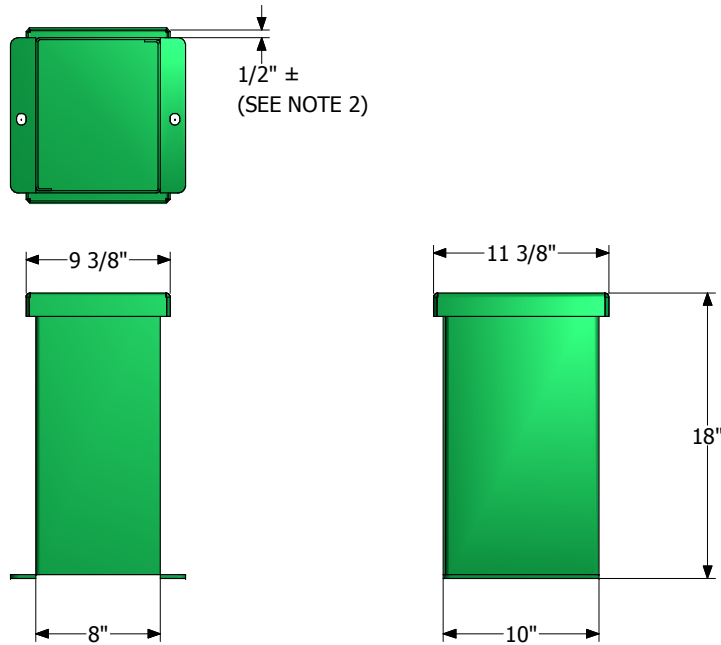


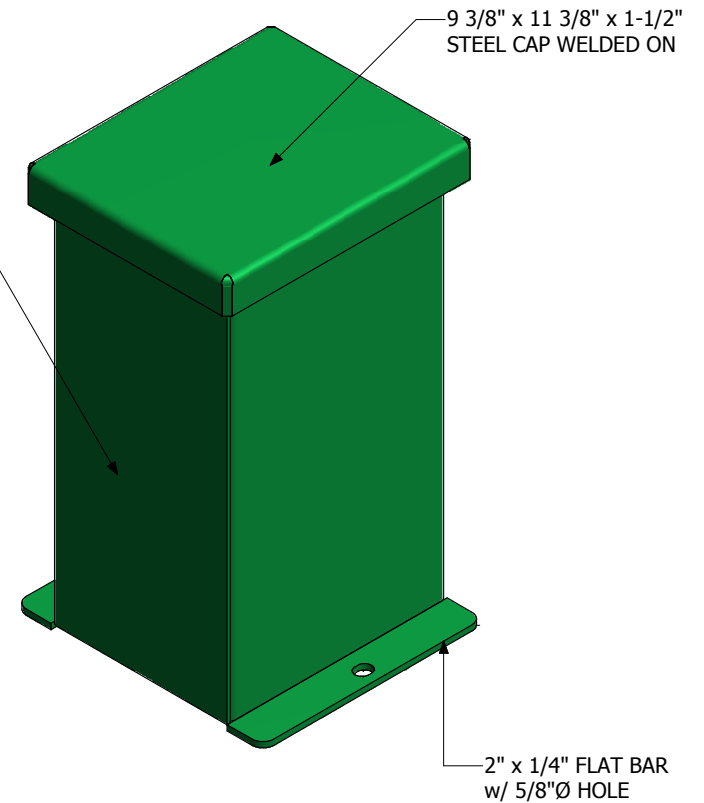


Fabricator of Infrastructure Parts and Accessories
 1325 Furneaux Road, Plumas Lakes, CA. 95961
 (530) 742-9675
www.placerwaterworks.com

AIR VENT TUBE PW/AV18-810



8" x 10" VENT TUBE
 WALL THICKNESS $3/16"$
 w/ $1/2"$ GAP ALL AROUND
 (SEE NOTE 2)



NOTES:

1. ALL PARTS TO BE POWDER COATED TO A THICKNESS OF 3-5 MILLS.
2. $1/2"$ GAP ON TOP PROVIDES 18 SQ. INCHES OF VENTILATION SURFACE AT TOP TUBE.
3. $1/4"$ GAP AT BASE OF TUBE ON TWO SIDES PROVIDES ADDITIONAL 4 SQ. INCHES OF VENTING.
4. ALL WELDING DONE PER AWS SPECIFICATIONS.