

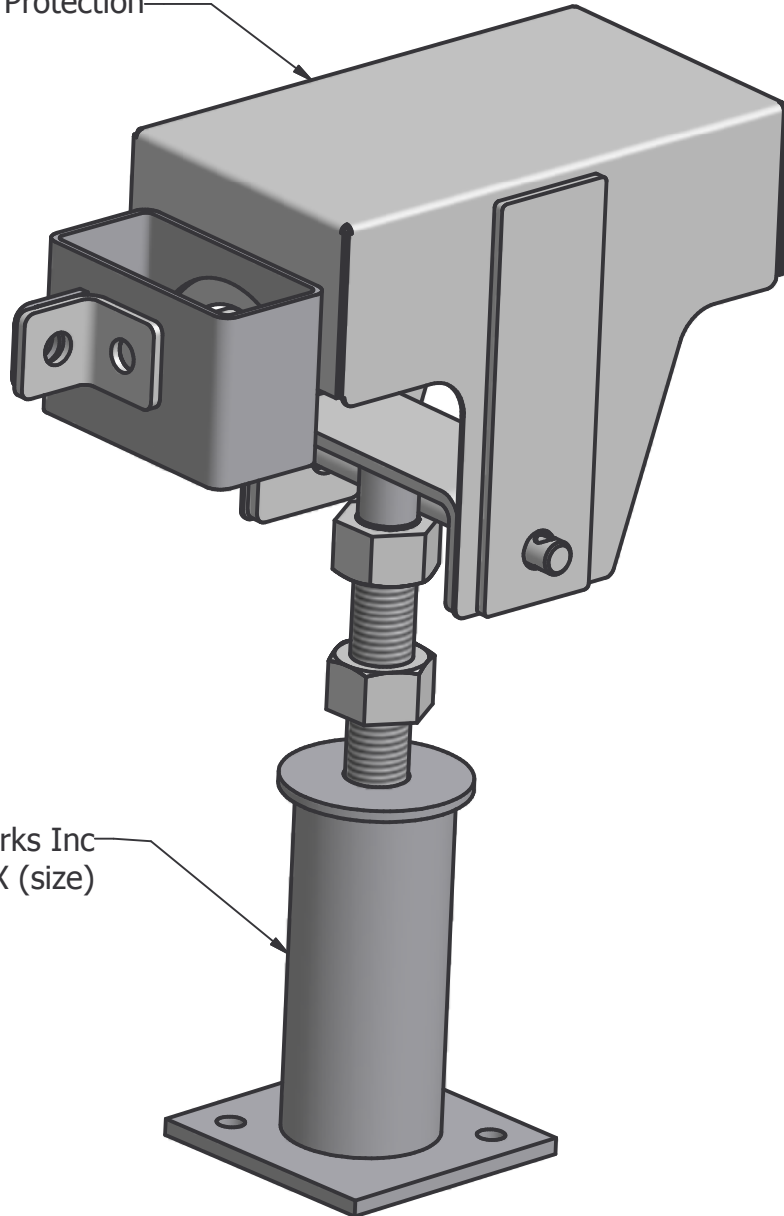
2 1

Hydrant Meter Protection w/Stand (PW/PS)

Placer Waterworks Inc.

1325 Furneaux Road
Plumas Lake, CA. 95961
(530) 742-9675

Hydrant Meter Protection



Placer Waterworks Inc
PW/PS-X (size)

1. This product works inconjunction with the Placer Waterworks Inc. PW/PS Pipe Support Stand to support the weight of the hardware, water meter and hose.
2. Gives Water District & Contractor control and access for additional security and protection.

This drawing must be signed and returned
returned to Placer Waterworks Inc. when
order is placed and before work is started.

4/22/2009

CAT#:PW/HMP