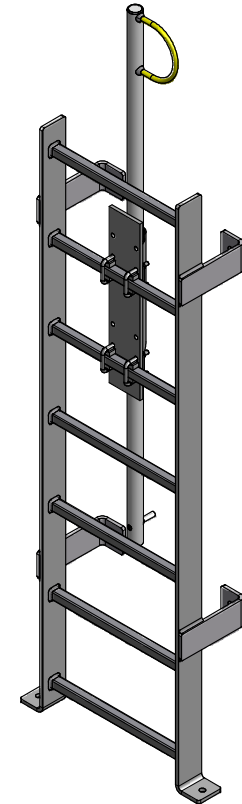
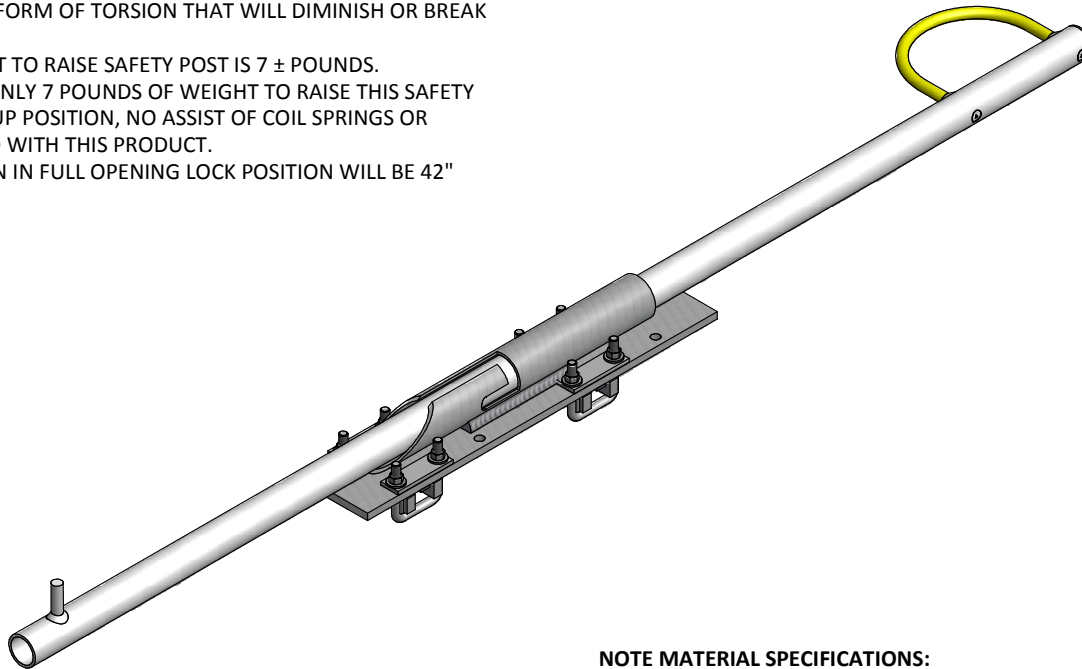




1325 Furneaux Road, Plumas Lakes, CA. 95961
(530) 742-9675
www.placerwaterworks.com

ALL ALUMINUM SAFETY UP-POST

OTHER UP-POST USE A LIFTING ASSIST FEATURE THAT REQUIRED LEVERS TO ENGAGE & RELEASE A FORM OF TORSION THAT WILL DIMINISH OR BREAK OVER TIME.
TOTAL LIFTING WEIGHT TO RAISE SAFETY POST IS $7 \pm$ POUNDS.
BECAUSE OF LIFTING ONLY 7 POUNDS OF WEIGHT TO RAISE THIS SAFETY POST INTO A LOCKED UP POSITION, NO ASSIST OF COIL SPRINGS OR OTHERWISE IS NEEDED WITH THIS PRODUCT.
SAFETY UP-POST WHEN IN FULL OPENING LOCK POSITION WILL BE 42" ABOVE GRADE.



APPLYING THE PRINCIPAL OF SIMPLICITY TO THE FUNCTIONALITY OF THIS PRODUCT, THE DEPENDABILITY WILL EXCEED MORE THAN 10 YEARS OF FREQUENT & NORMAL USAGE WITH MINIMAL SIGNS OF WARE.

NOTE MATERIAL SPECIFICATIONS:

1. ALL ALUMINUM TO BE 6061 - T6.
2. ALUMINUM SAFETY UP-POST TO BE U-BOLT TO GALVANIZED LADDER.

CAT#: ALL ALUMINUM SAFETY UP-POST

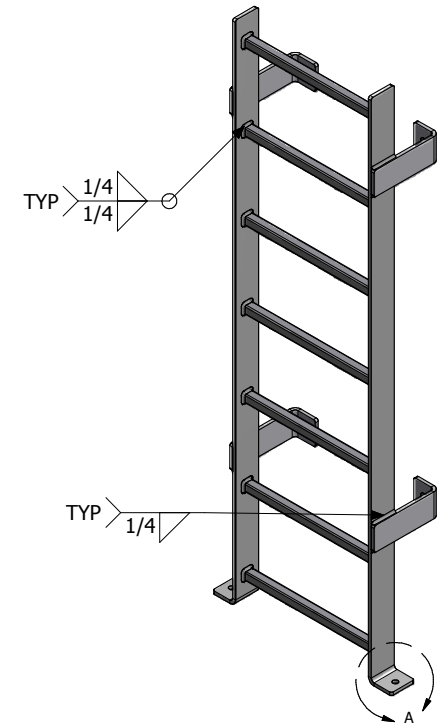
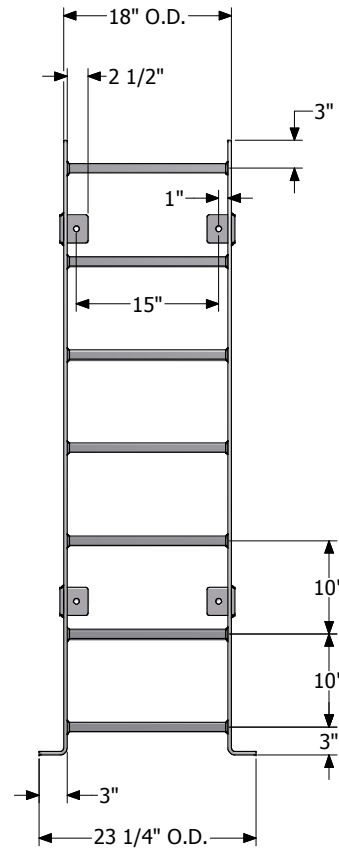
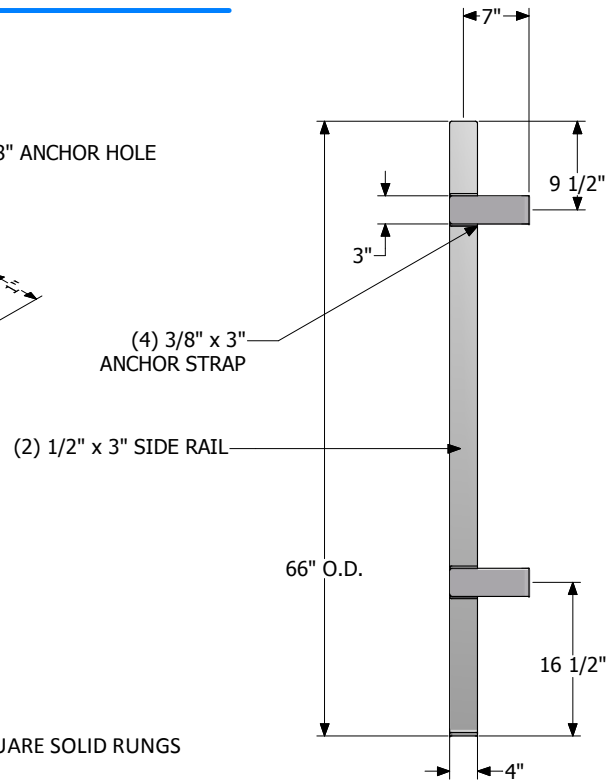
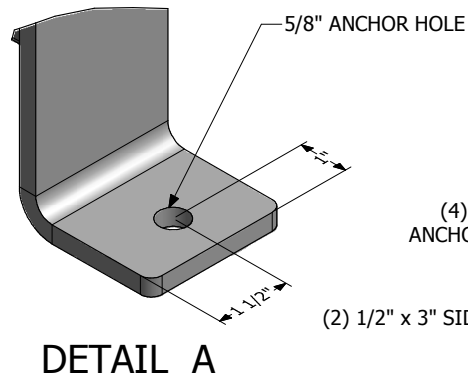
COPYRIGHTED 2012 PLACER WATERWORK, INC. © ALL RIGHTS RESERVED - FOR AUTHORIZATION FOR DUPLICATION MAY OBTAIN THRU: kkern@placerwaterworks.com

C.B: R.V. 06 - 22 - 2012 REV.00



1325 Furneaux Road, Plumas Lakes, CA. 95961
(530) 742-9675
www.placerwaterworks.com

66" ALUMINUM LADDER



NOTES:

1. LADDER TO BE 66" IN HEIGHT w/ 1" SQUARE SOLID RUNGS @ 10" ON CENTER
2. LADDER TO BE 18" WIDE
3. LADDER TO BE GALVANIZED
4. ALUMINUM SAFETY UP-POST TO BE U-BOLTS TO LADDER RUNG
5. SEE LADDER UP-POST DETAIL
6. STEEL LADDER RUNGS TO HAVE NON-SLIP-COATING.
7. ALL WELDING DONE PER AWS SPECIFICATIONS.

CAT#: Custom: 66" ALUMINUM LADDER w/ SAFETY UP POST

COPYRIGHTED 2012 PLACER WATERWORK, INC. © ALL RIGHTS RESERVED - FOR AUTHORIZATION FOR DUPLICATION MAY OBTAIN THRU: kkern@placerwaterworks.com

C.B.: R.V. 06-22-2012 REV. 00