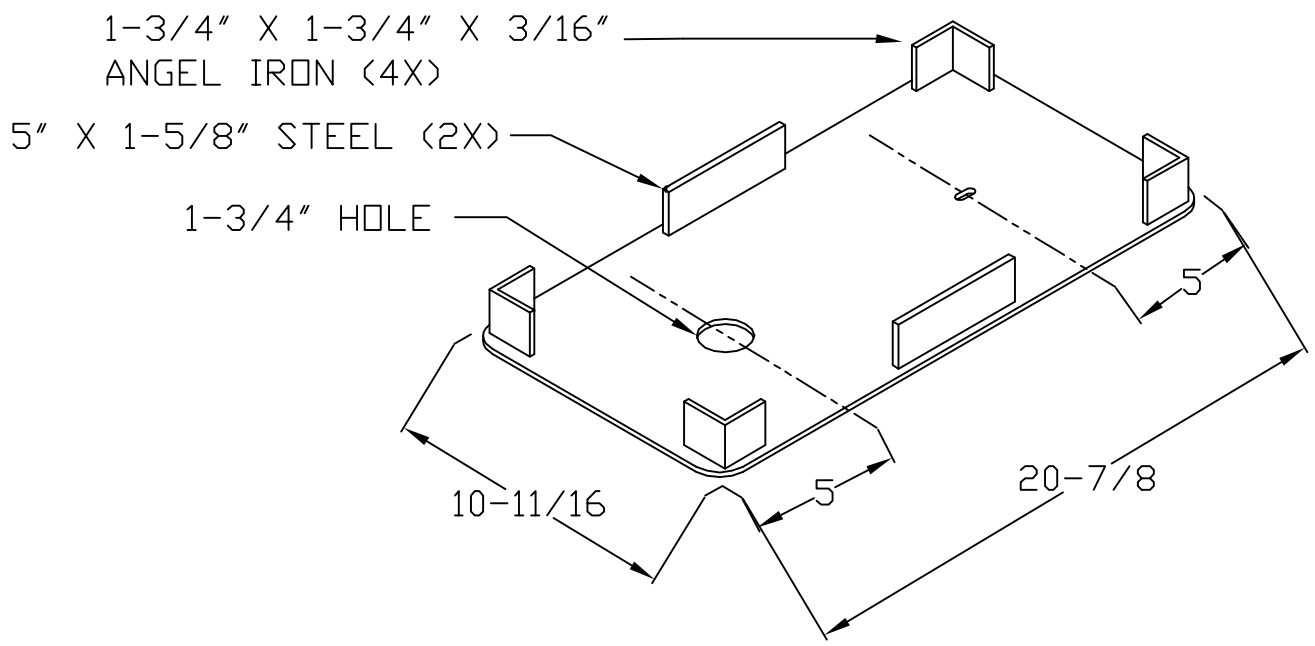
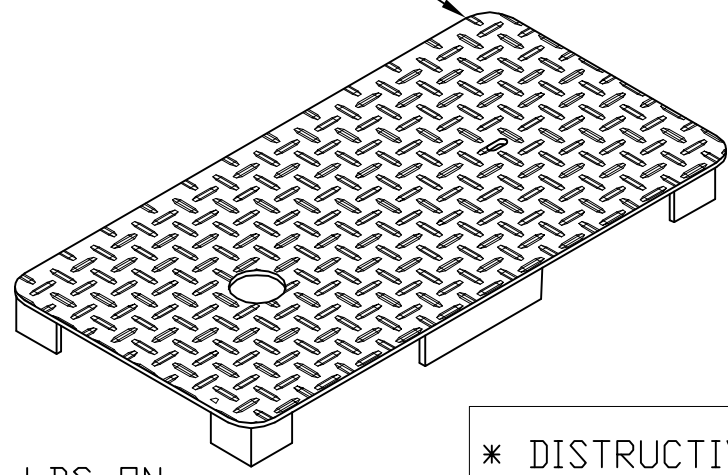


F16-S FLUSH MOUNT

Placer Waterworks, Inc.
9522 Antelope Oaks Court
Roseville, CA 95747
(916) 773-2959



10-11/16" X 20-7/8" STEEL



APPLYING 14,300 LBS ON
TO A 6" DIA. SURFACE, IN THE
CENTER OF COVER CREATED
DEFLECTION OF 1/2".

* DISTRUCTIVE TESTING *
RESULTS SHOWED TEST
LOAD OF 7880 LBS WITH
1/8" PERMINENT DEFLECTION
AND 14,300 LBS GAVE 1/2"