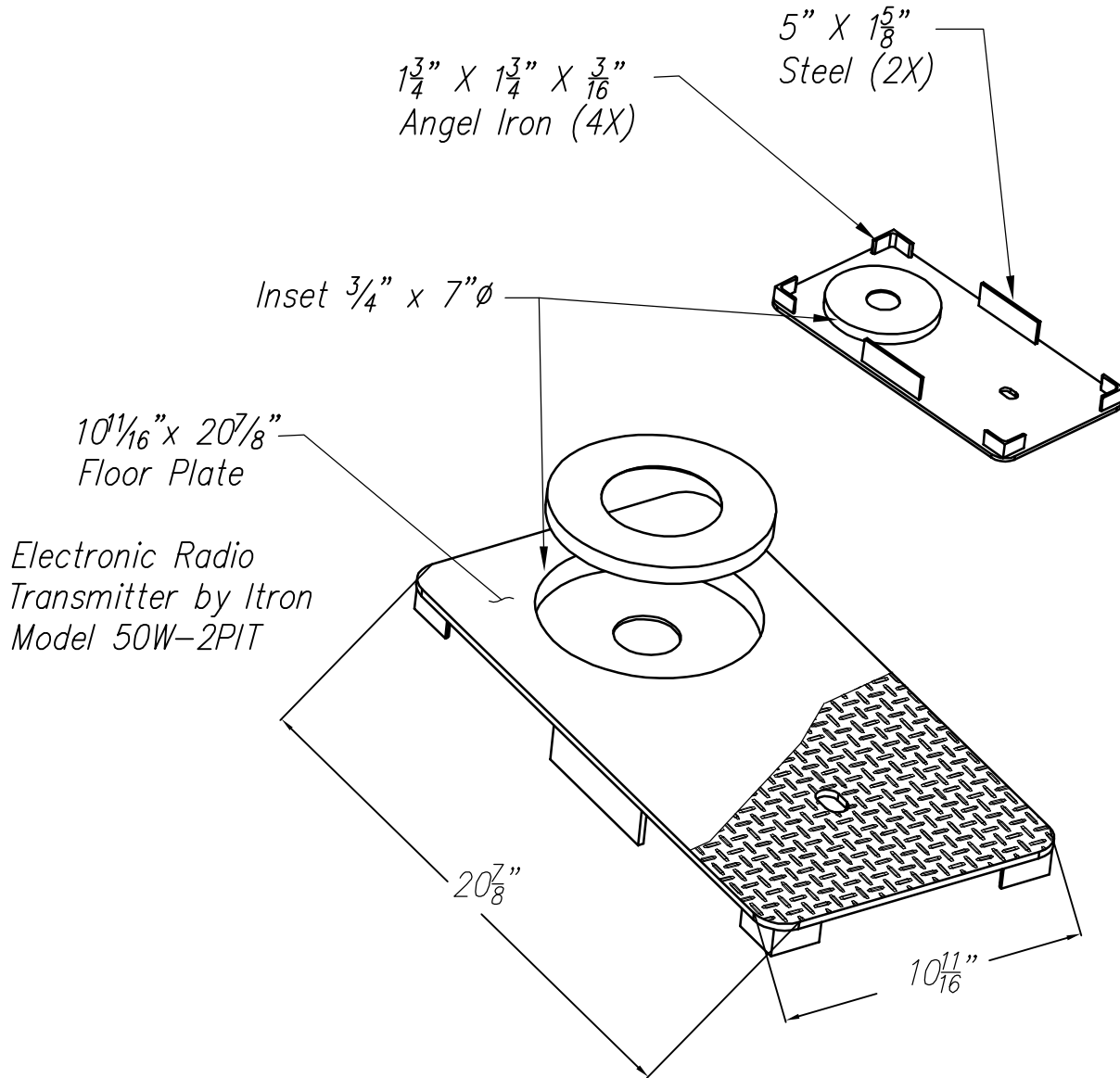


F-16RP FLUSH MOUNT

Placer Waterworks, Inc.
9522 Antelope Oaks Court
Roseville, CA 95747
(916) 773-2959



Applying 14,300 lbs. on to a
6" ϕ surface, in the center of
cover created deflection of 1/2"

CAT# F16RP

* DSTRUCTIVE TESTING *
Results showed test load of
7880 lbs. with 1/8" perminent
deflection and 14,300 lbs. gave 1/2"