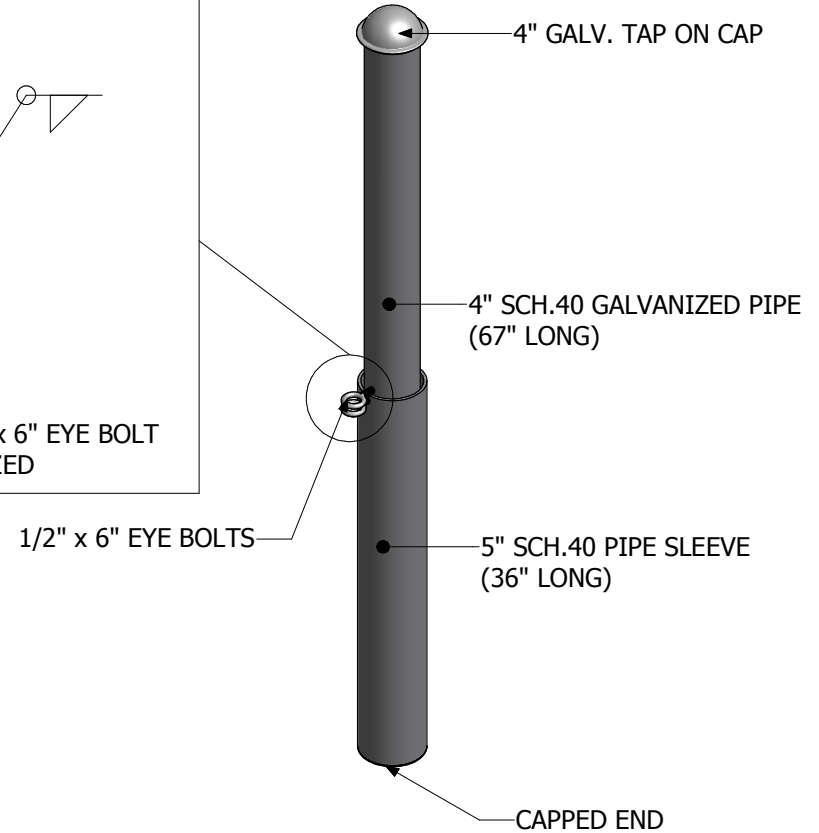
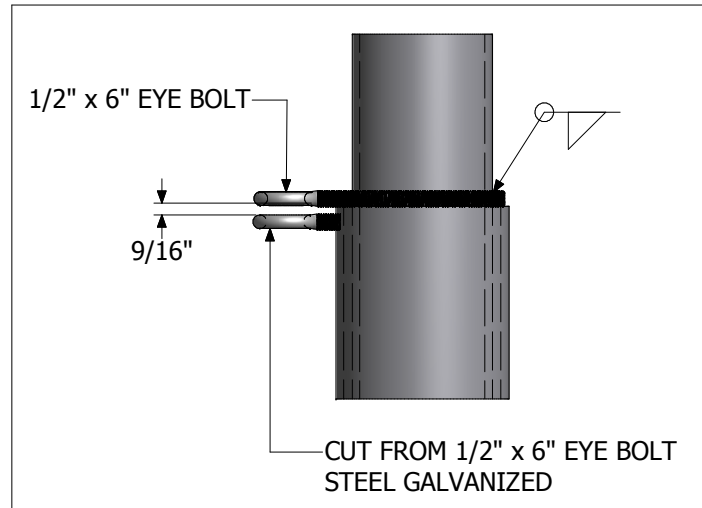
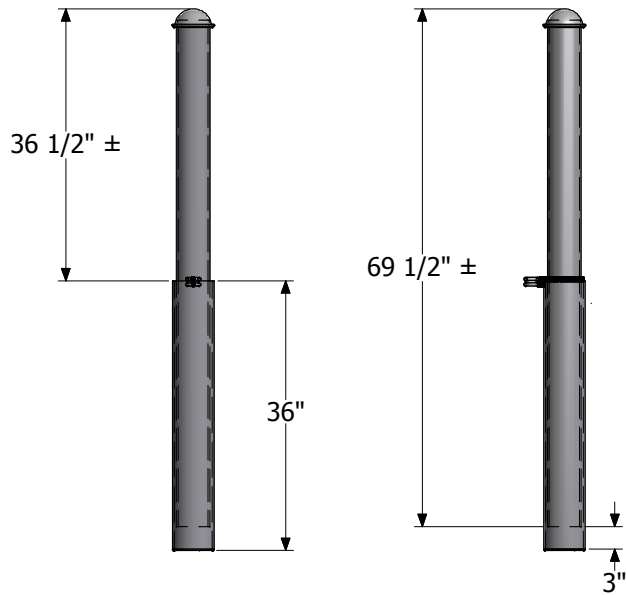




1325 Furneaux Road, Plumas Lakes, CA. 95961
(530) 742-9675
www.placerwaterworks.com

REMOVABLE BOLLARD

PW/ BRL - PG&E



NOTES:

1. BOLLARD TO BE GALVANIZED PIPE SCHEDULE 40
2. BOLLARD PIPE SIZE 4" SCH.40
3. BOLLARD SLEEVE 5" SCH.40
4. ALL WELDING ARE DONE PER AWS SPECIFICATIONS.
5. BOLLARD TO BE POWDER COATED SAFETY YELLOW (OPTIONAL)