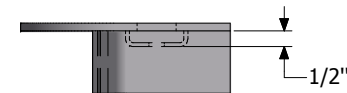
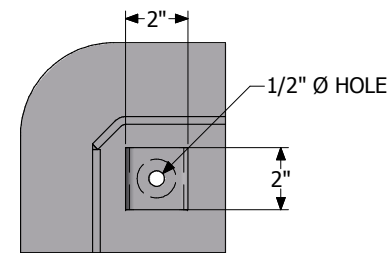
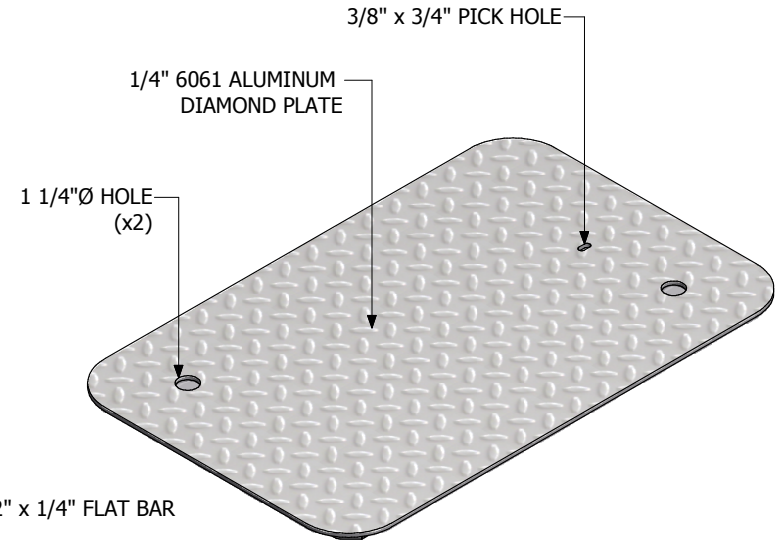
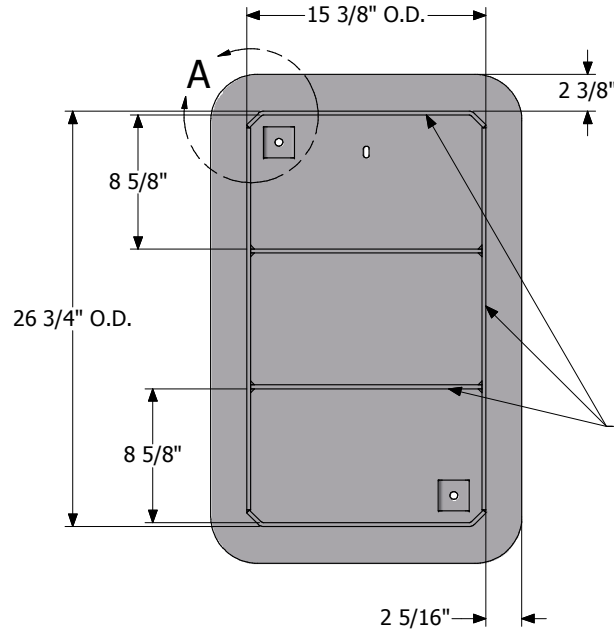
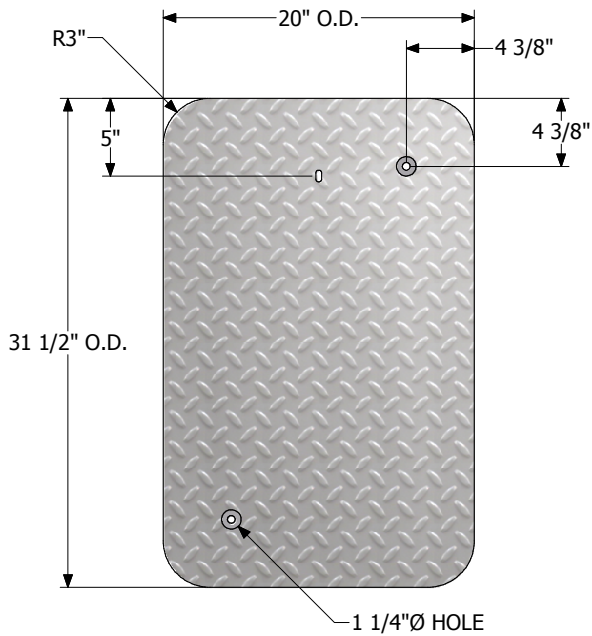




1325 Furneaux Road, Plumas Lakes, CA. 95961
(530) 742-9675
www.placerwaterworks.com

UTILITY ALUMINUM COVERS

B65 (20" x 31-1/2")



DETAIL A

NOTES:

- UTILITY ALUMINUM COVERS TO BE 20" x 30-1/2" WITH 3/8" x 3/4" PICK HOLE
- UTILITY COVER: 1/4" ALUMINUM DIAMOND PLATE
- STRUCTURAL SUPPORT: 2" x 1/4" ALUMINUM FLAT BAR WELDED TO COVER AS SHOWN
- ALL WELDING DONE PER AWS SPECIFICATIONS.

CAT#: UTILITY ALUMINUM COVERS B65 (20" x 31-1/2")

COPYRIGHTED 2011 PLACER WATERWORK, INC. © ALL RIGHTS RESERVED - FOR DUPLICATION AUTHORIZATION MAY OBTAIN THRU: kkern@placerwaterworks.com

CB: R.V. 11-30-2011 REV.00