

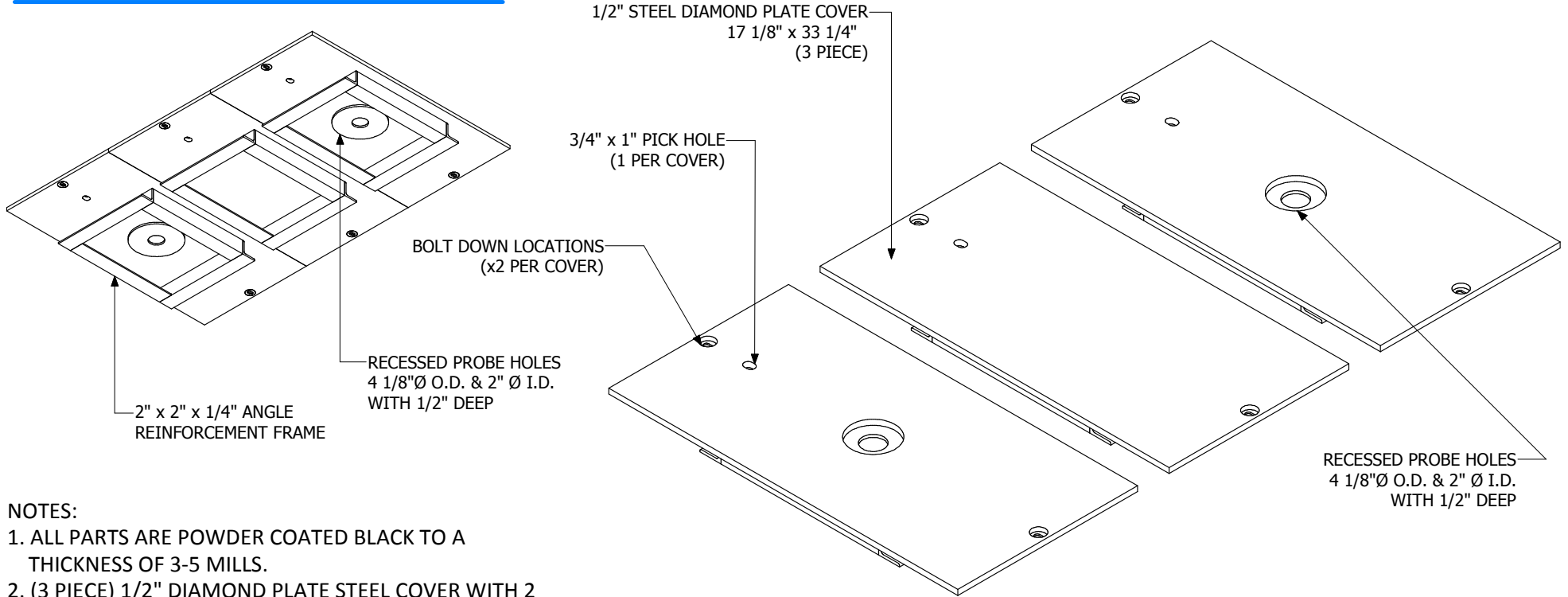


Fabricator of Infrastructure Parts and Accessories

1325 Furneaux Road, Plumas Lakes, CA. 95961
(530) 742-9675
www.placerwaterworks.com

UTILITY STEEL COVER

B3048-63D



NOTES:

1. ALL PARTS ARE POWDER COATED BLACK TO A THICKNESS OF 3-5 MILLS.
2. (3 PIECE) 1/2" DIAMOND PLATE STEEL COVER WITH 2 RECESSED PROBE HOLES. (1 PER COVER ONLY AS SHOWN)
3. 2" x 2" x 1/4" ANGLE REINFORCEMENT FRAME .
4. ALL WELDING DONE PER AWS SPECIFICATIONS.

CAT#: PW/B3048-63D

COPYRIGHTED 2012 PLACER WATERWORK, INC. © ALL RIGHTS RESERVED - FOR DUPLICATION AUTHORIZATION MAY OBTAIN THRU: kkern@placerwaterworks.com

SHEET 1 OF 2

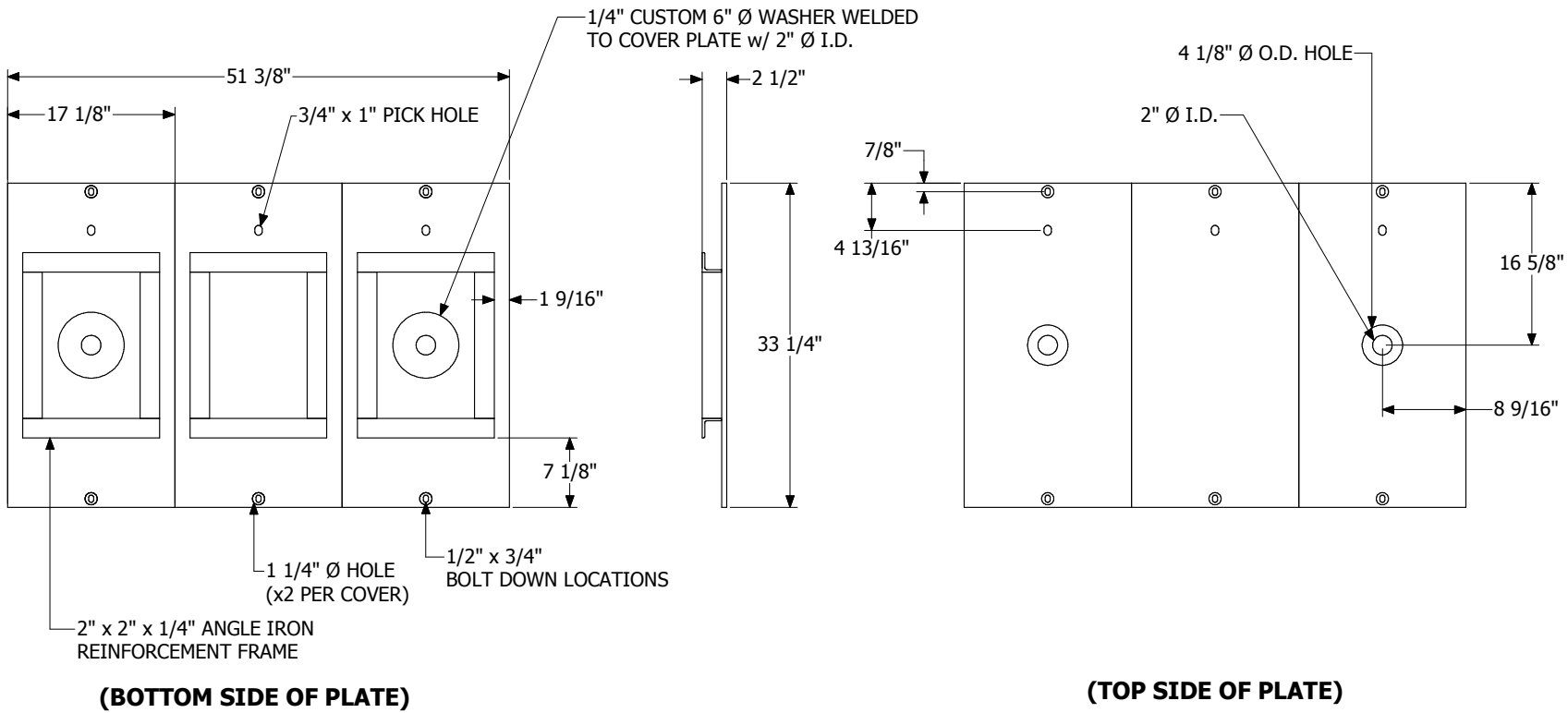
CB: K.K. 12-22-2011 REV.00



1325 Furneaux Road, Plumas Lakes, CA. 95961
 (530) 742-9675
www.placerwaterworks.com

UTILITY STEEL COVER

B3048-63D



CAT#: PW/B3048-63D

COPYRIGHTED 2012 PLACER WATERWORK, INC. © ALL RIGHTS RESERVED - FOR DUPLICATION AUTHORIZATION MAY OBTAIN THRU: kkern@placerwaterworks.com

SHEET 2 OF 2

CB: K.K. 12-22-2011 REV.00