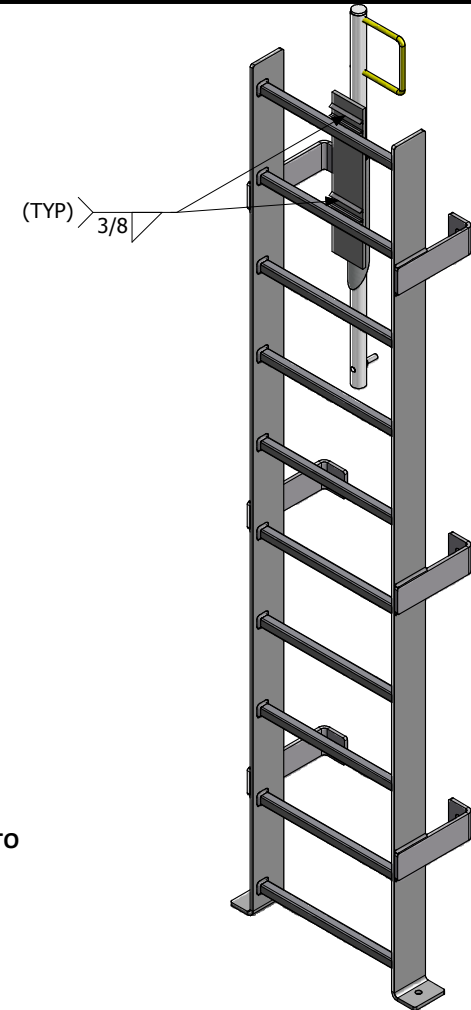
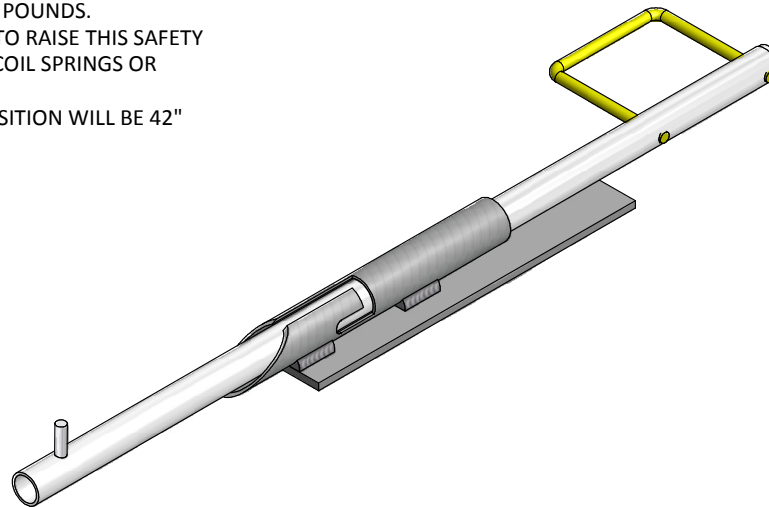




1325 Furneaux Road, Plumas Lakes, CA. 95961  
(530) 742-9675  
[www.placerwaterworks.com](http://www.placerwaterworks.com)

# ALL ALUMINUM SAFETY UP-POST

OTHER UP-POST USE A LIFTING ASSIST FEATURE THAT REQUIRED LEVERS TO ENGAGE & RELEASE A FORM OF TORSION THAT WILL DIMINISH OR BREAK OVER TIME.  
TOTAL LIFTING WEIGHT TO RAISE SAFETY POST IS 7 POUNDS.  
BECAUSE OF LIFTING ONLY 7 POUNDS OF WEIGHT TO RAISE THIS SAFETY POST INTO A LOCKED UP POSITION, NO ASSIST OF COIL SPRINGS OR OTHERWISE IS NEEDED WITH THIS PRODUCT.  
SAFETY UP-POST WHEN IN FULL OPENING LOCK POSITION WILL BE 42" ABOVE GRADE.



**NOTE MATERIAL SPECIFICATIONS:**  
1. ALL ALUMINUM TO BE 6061 - T6.  
2. ALUMINUM SAFETY UP-POST TO BE WELDED TO ALUMINUM LADDER.

APPLYING THE PRINCIPAL OF SIMPLICITY TO THE FUNCTIONALITY OF THIS PRODUCT, THE DEPENDABILITY WILL EXCEED MORE THAN 10 YEARS OF FREQUENT & NORMAL USAGE WITH MINIMAL SIGNS OF WARE.

CAT#: ALL ALUMINUM SAFETY UP-POST

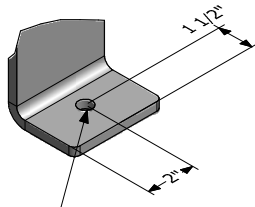
COPYRIGHTED 2011 PLACER WATERWORK, INC. © ALL RIGHTS RESERVED - FOR AUTHORIZATION FOR DUPLICATION MAY OBTAIN THRU: [kkern@placerwaterworks.com](mailto:kkern@placerwaterworks.com)

C.B. R.V. 06 - 20 - 2011 REV.00



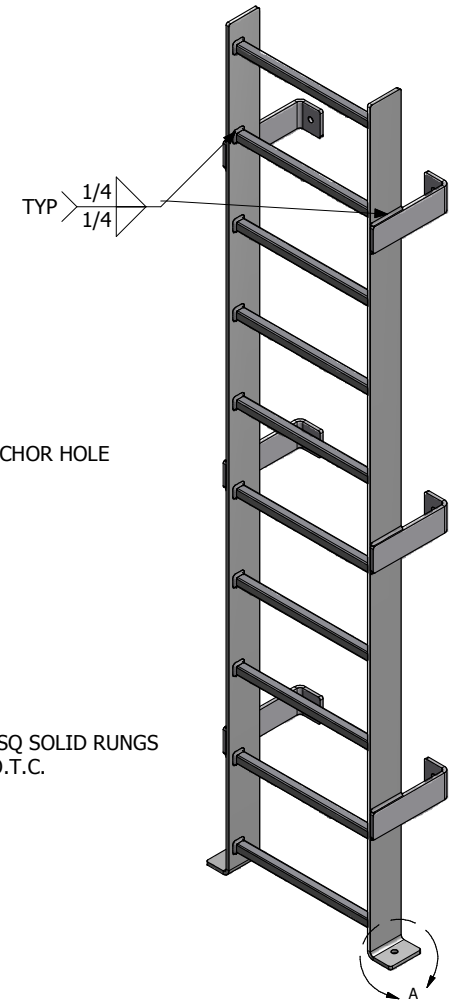
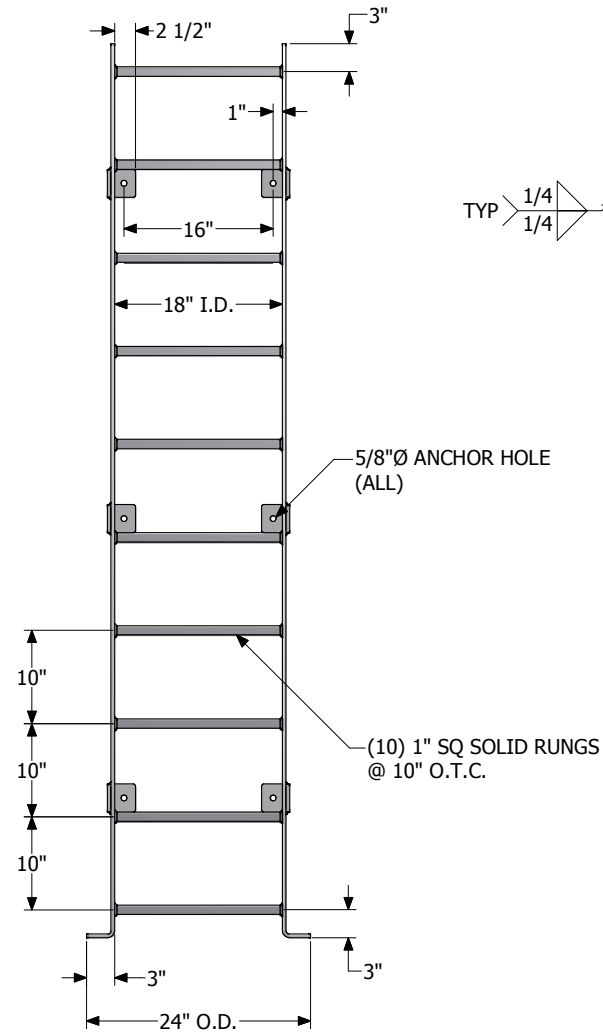
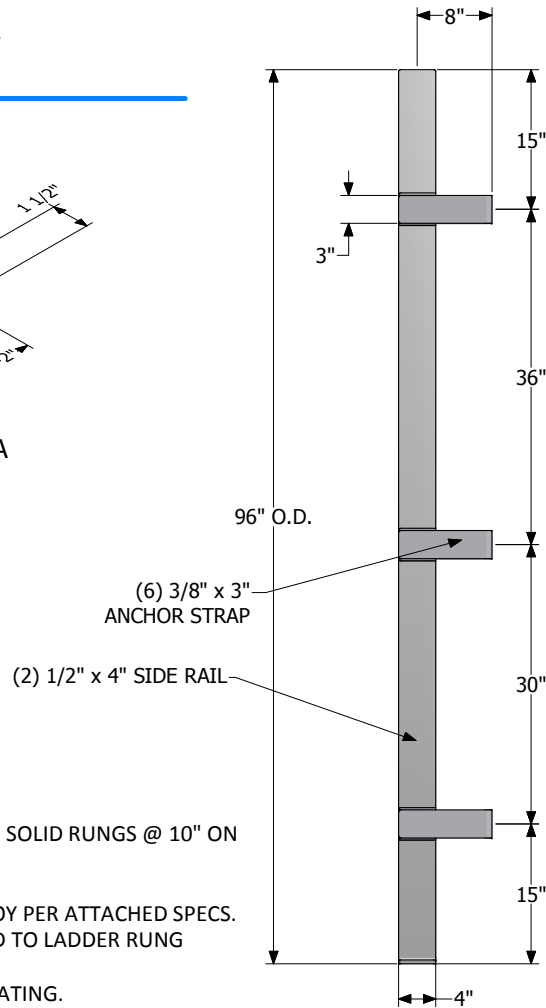
1325 Furneaux Road, Plumas Lakes, CA. 95961  
(530) 742-9675  
www.placerwaterworks.com

# 96" ALUMINUM LADDER



(8) 5/8"Ø HOLE FOR BOLT DOWN

DETAIL A



**NOTES:**

1. LADDER TO BE 96" IN HEIGHT w/ 1" SQUARE SOLID RUNGS @ 10" ON CENTER
2. 18" WIDE BETWEEN SIDE RAILS.
3. MATERIAL TO BE ALUMINUM 6061 - T6 ALLOY PER ATTACHED SPECS.
4. ALUMINUM SAFETY UP-POST TO BE WELDED TO LADDER RUNG
5. SEE LADDER UP-POST DETAIL
6. ALUMINUM LADDER TO HAVE NON-SLIP-COATING.
7. ALL WELDING DONE PER AWS SPECIFICATIONS.

CAT#: Custom: 96" ALUMINUM LADDER w/ SAFETY UP POST

COPYRIGHTED 2011 PLACER WATERWORK, INC. © ALL RIGHTS RESERVED - FOR AUTHORIZATION FOR DUPLICATION MAY OBTAIN THRU: kkern@placerwaterworks.com

C.B.: R.V. 06-20-2011 REV. 00