

COMPANY:

 1325 FURNEALX RD
 PLUMAS LAKE, CA
 WWW.PLACERWATERWORKS.COM

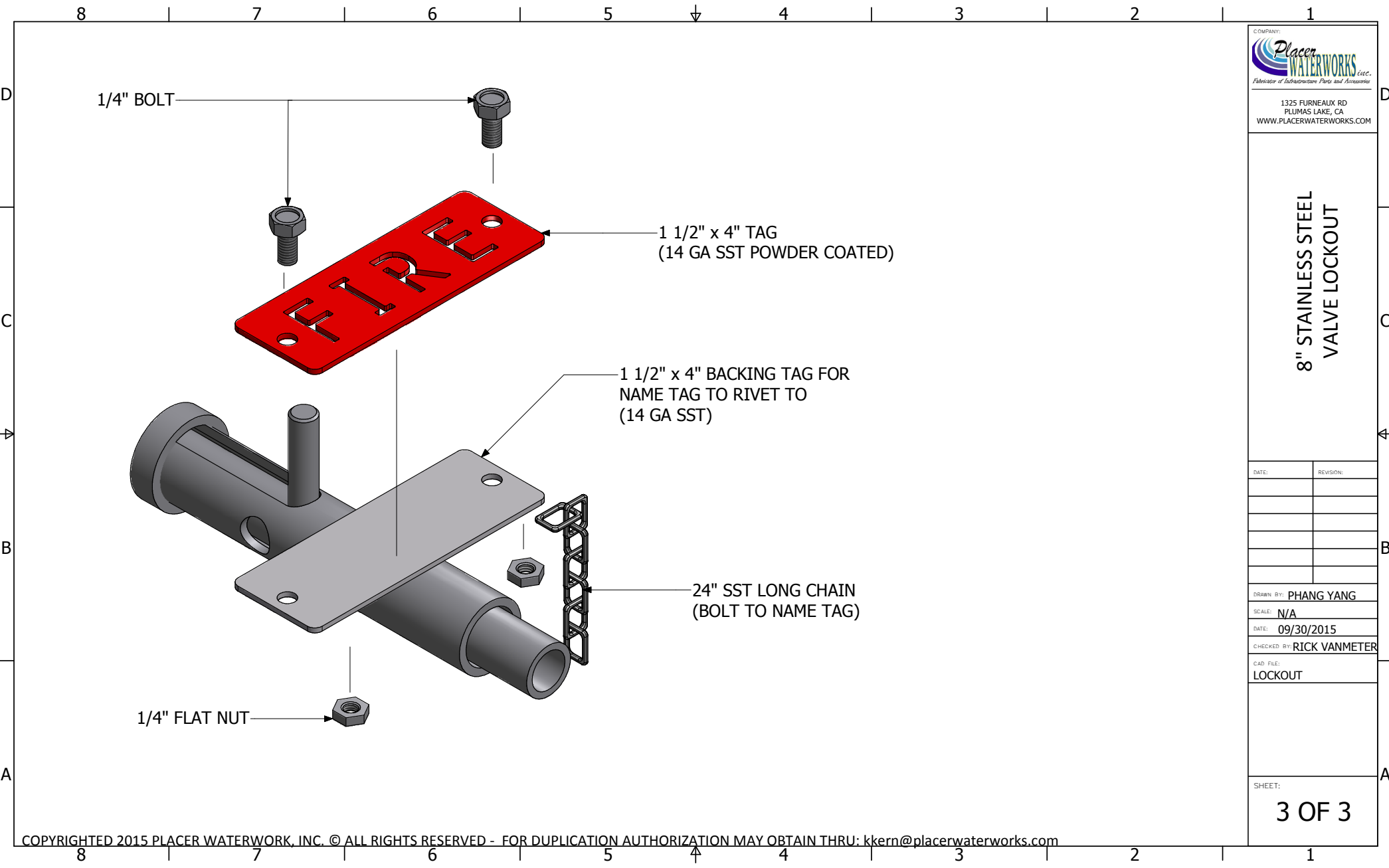
**8" STAINLESS STEEL
 VALVE LOCKOUT**

DATE:	REVISION:

DRAWN BY: PHANG YANG
 SCALE: N/A
 DATE: 09/30/2015
 CHECKED BY: RICK VANMETER
 CAD FILE:
 LOCKOUT

SHEET:
1 OF 3

- NOTES:
1. ALL MATERIAL TO BE STAINLESS STEEL UNLESS OTHERWISE STATED.
 2. LOCKOUT VALVE TO ACCEPT SHACKLE DIAMETER UP TO 7/16" Ø.
(OTHER SIZES AVAILABLE UPON REQUEST)
 3. LOCKOUT VALVE TO HAVE POWDER COATED TAG RIVETED TO 14GA SST TAG.
 4. ALL WELDING IS DONE PER AWS SPECIFICATIONS.



COMPANY:

 Placer Waterworks Inc.
 Fabricator of Infrastructure Parts and Accessories
 1325 FURNEAUX RD
 PLUMAS LAKE, CA
 WWW.PLACERWATERWORKS.COM

8" STAINLESS STEEL
 VALVE LOCKOUT

DATE:	REVISION:

DRAWN BY: PHANG YANG
 SCALE: N/A
 DATE: 09/30/2015
 CHECKED BY: RICK VANMETER
 CAD FILE:
 LOCKOUT

SHEET:
 3 OF 3