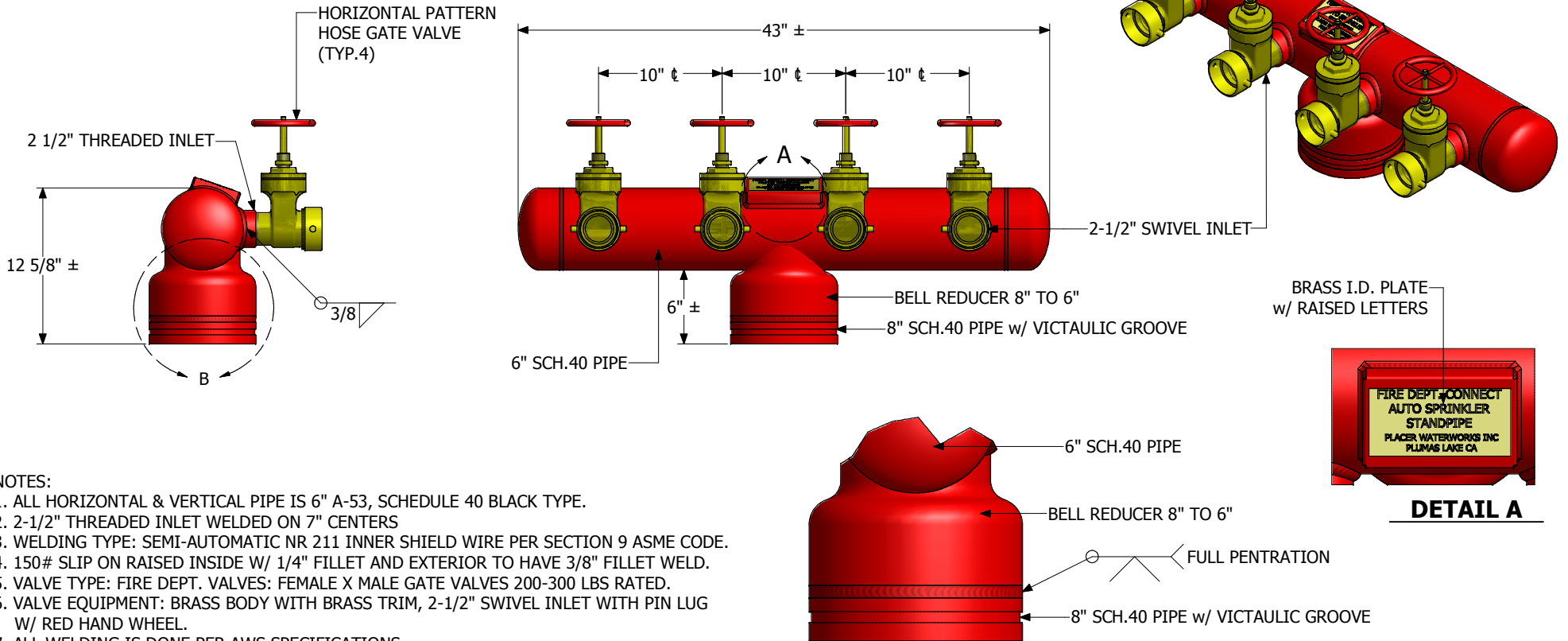




1325 Furneaux Road, Plumas Lakes, CA. 95961
(530) 742-9675
www.placerwaterworks.com

4 PORT VALVES FIRE DEPARTMENT CONNECTION w/ BELL REDUCER



NOTES:

1. ALL HORIZONTAL & VERTICAL PIPE IS 6" A-53, SCHEDULE 40 BLACK TYPE.
2. 2-1/2" THREADED INLET WELDED ON 7" CENTERS
3. WELDING TYPE: SEMI-AUTOMATIC NR 211 INNER SHIELD WIRE PER SECTION 9 ASME CODE.
4. 150# SLIP ON RAISED INSIDE W/ 1/4" FILLET AND EXTERIOR TO HAVE 3/8" FILLET WELD.
5. VALVE TYPE: FIRE DEPT. VALVES: FEMALE X MALE GATE VALVES 200-300 LBS RATED.
6. VALVE EQUIPMENT: BRASS BODY WITH BRASS TRIM, 2-1/2" SWIVEL INLET WITH PIN LUG W/ RED HAND WHEEL.
7. ALL WELDING IS DONE PER AWS SPECIFICATIONS.
8. SINGLE HYDRANT GATE VALVE: UL LISTED & FM APPROVED (UL LISTED 618R)
9. NOT RECOMMENDED FOR WET SYSTEM.

CAT#: Custom: 4 Port Valves Fire Department Connection w/ Bell Reducer

Copyrighted 2013 Placer Waterworks, Inc. © All Right Reserved - For Duplication Authorization may obtain thru: kkern@placerwaterworks.com

*** CB: K.K 03/05/2013 REV. 02