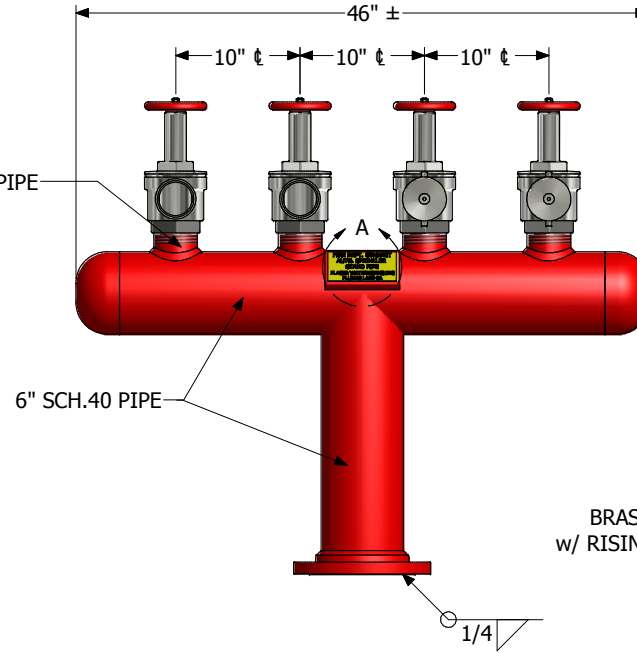
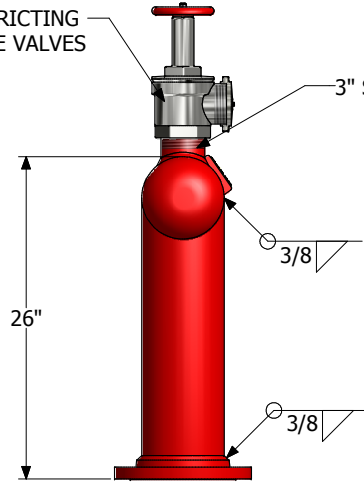




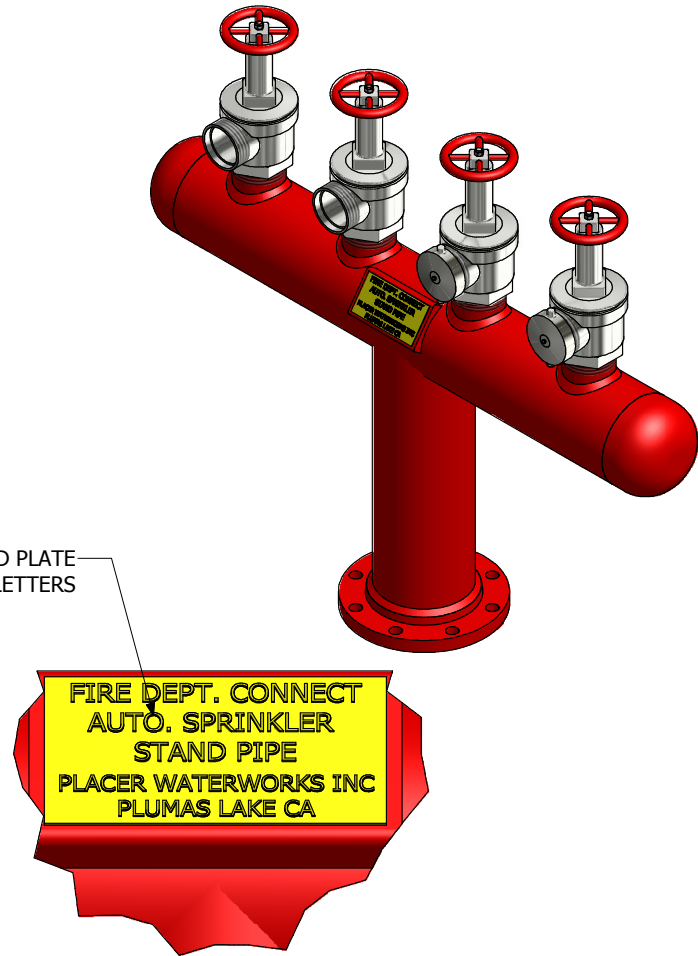
1325 Furneaux Road, Plumas Lakes, CA. 95961  
 (530) 742-9675  
 www.placerwaterworks.com

# 4 PORTS FIRE DEPARTMENT CONNECTION w/ ANGLE HOSE VALVES

PRESSURE RESTRICTING  
 ANGLE VALVES



BRASS ID PLATE  
 w/ RISING LETTERS



**NOTES:**

1. ALL HORIZONTAL @ VERTICAL PIPE IS 6" A-53, SCHEDULE 40 BLACK TYPE.
2. 3" SCH.80 NIPPLE FASTENED ON 10" CENTERS WITH FIRST - A ROOT PASS. SECOND, FILLET PASS. FINISH WITH A 3/8" FINAL PASS.
3. PIPE CAPS AND PIPE TO PIPE CONNECTION TO BE 100% PENETRATION.
4. 150# SLIP ON RAISED FACE FLANGE WELDED INSIDE W/ 1/4" FILLET AND EXTERIOR TO HAVE 3/8" FILLET WELD.
5. STANDARD EQUIPMENT: DOUBLE FEMALE - FEMALE NPT INLET AND OUTLET FORGED BRASS VALVE WITH READ HAND WHEEL.
6. GIACOMINI ANGLE HOLE VALVE IS FM APPROVED, ULC CERTIFICATED (CE X 589) & UL LISTED 618R.
7. ENTIRE FIXTURE IS ABRASIVE BLASTED SSPC SP-5 WHITE METAL BLAST 2-3 MILS ANGULAR PROFILE THEN POWDER COATED RED W/ 4-6 MILS FILM THICKNESS.
8. ALL WELDING IS DONE PER AWS D1.1 FCAW PROCESS.
9. NOT RECOMMENDED FOR WET SYSTEM.

## DETAIL A

CAT#: Custom: 4 Ports Fire Department Connection W/ Angle Hose Valves  
 Copyrighted 2013 Placer Waterworks, Inc. © All Right Reserved - For Duplication Authorization may obtain thru: kkern@placerwaterworks.com

\*\*\* CB: K.K 3/26/2013 REV. 01