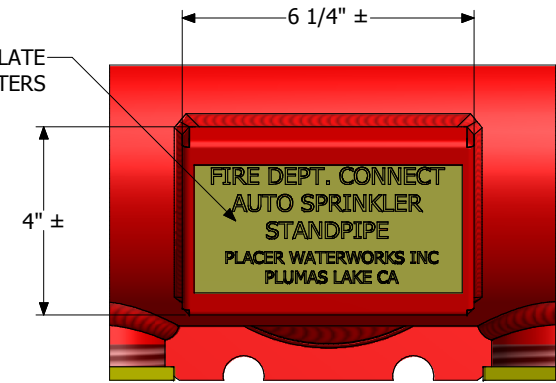
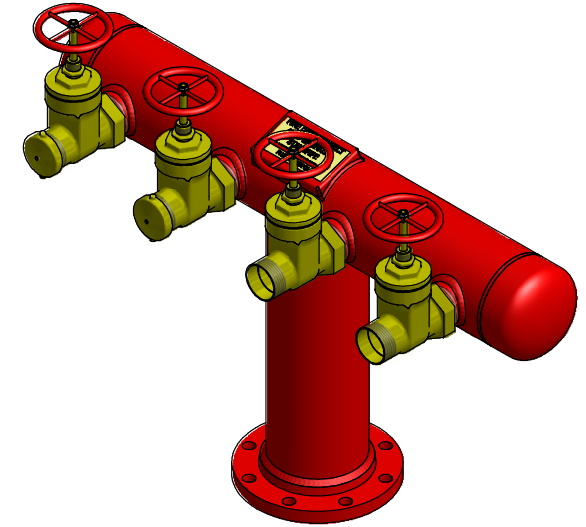
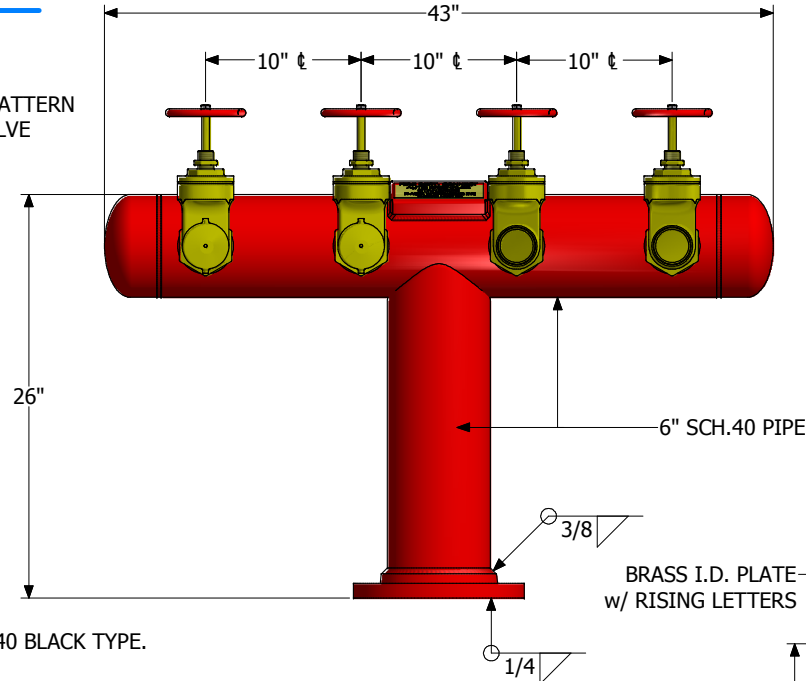
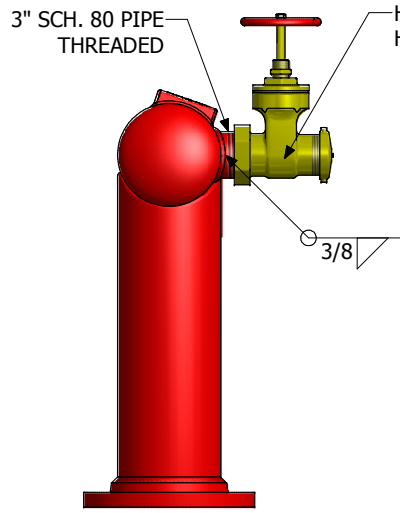




1325 Furneaux Road, Plumas Lakes, CA. 95961
 (530) 742-9675
 www.placerwaterworks.com

4 PORTS FIRE DEPARTMENT CONNECTION w/ GATE VALVES



BRASS I.D. PLATE DETAIL

- NOTES:
1. ALL HORIZONTAL & VERTICAL PIPE IS 6" A-53, SCHEDULE 40 BLACK TYPE.
 2. SCH.80 3" NIPPLE FASTENED ON 10" ON CENTERS
 3. WELDING TYPE: SEMI-AUTOMATIC NR 211 INNER SHIELD WIRE PER SECTION 9 ASME CODE.
 4. 150# SLIP ON RAISED FACE FLANGE WELDED INSIDE W/ 1/4" FILLET AND EXTERIOR TO HAVE 3/8" FILLET WELD.
 5. VALVE TYPE: SINGLE HYDRANT GATE VALVE, STRAIGHTWAY PATTERN, NON-RISING STEM, 300 LB. HOSE GATE VALVES ARE INTENDED FOR USE ON STANDPIPES, FIRE PUMPS AND HYDRANTS.
 6. STANDARD EQUIPMENT: FEMALE NPT INLET X MALE HOSE THREAD OUTLET, FORGED BRASS WITH RED HAND WHEEL, SOLID WEDGE DISC WITH TAPERED SEATS. (FEMALE X MALE)
 7. GIACOMINI GATE VALVE IS FM APPROVED & UL LISTED 618R
 8. ENTIRE FIXTURE IS ABRASIVE BLASTED SSPC SP-5WHITE METAL 2-3 MILS ANGULAR PROFILE THEN POWDER COATED RED W/ 4-6 MIL FILM THICKNESS.
 9. ALL WELDING IS DONE PER AWS D1.1 FCAW PROCESS.
 10. NOT RECOMMENDED FOR WET SYSTEM.

CAT#: Custom: 4 Port Fire Department Connection W/ Gate Valves
 Copyrighted 2013 Placer Waterworks, Inc. © All Right Reserved - For Authorization for Duplication may obtain thru: kkern@placerwaterworks.com

*** CB: K.K 3/05/2013 REV. 01